

PARTS LIST

ITEM	DESCRIPTION	REQ'D	MATERIAL	ASTM	
1	CAP SCREW	1	STEEL		SEE NOTE 5
2	WRENCH NUT	1	CAST IRON	A126	CLASS B
3	PINION SHAFT	1			SEE NOTE 1
4	VALVE ACTUATOR	1			
5	DRIVE SLEEVE	1			SEE NOTE 1
6	KEY	1	STEEL		
7	ACTUATOR GASKET	1	NEOPRENE	D2000	MUELLER R51
8	CAP SCREW	4	STEEL		SEE NOTE 5
9	ACTUATOR ADAPTER	1	CAST IRON	A126	CLASS B
10	ADAPTER BUSHING	1	BRONZE	B62	
11	O-RING	1	RUBBER	D2000	MUELLER R34
12	CAP SCREW	6	STEEL		SEE NOTE 5
13	STANDARD GASKET	1	RUBBER	D2000	
14	BONNET BUSHING	1	BRONZE	B62	
15	O-RING	1	RUBBER	D2000	MUELLER R34
16	O-RING	1	RUBBER	D2000	MUELLER R34
17	STEM	1	BRONZE		SEE NOTE 2
18	BONNET	1	CAST IRON		SEE NOTE 3
19	BONNET TRACK	1	BRONZE	B62	
20	BONNET BOLT	"X"	STEEL		SEE NOTE 5
21	BONNET GASKET	1	RUBBER		CLOTH INSERTED
22	BODY, FLANGE ENDS	1	CAST IRON		SEE NOTE 3
23	SEAT RING	2	BRONZE	B62	
24	BODY TRACK	1	BRONZE	B62	
25	TOP WEDGE NUT	1	BRONZE	B62	
26	BOTTOM WEDGE	1	BRONZE	B62	
27	DISC	2	CAST IRON		SEE NOTE 3
28	DISC PIN	2	BRASS	B21	ALLOY 464
29	SIDE SPREADER	2	BRONZE	B62	
30	ROLLER CARRIAGE	1	CAST IRON	A126	CLASS B
31	ROLLER	2	BRONZE	B62	
32	ROLLER SHAFT	2	BRASS	B21	ALLOY 464
33	TRACK SCRAPER	2	BRONZE	B62	
34	MACHINE SCREW	4	BRASS	B21	ALLOY 464
35	TEST PLUG	2	STEEL		PLATED
36	PIPE PLUG	1	CAST IRON		
37	MECH. JOINT GASKET	NOTE 4	RUBBER	D2000	MUELLER R42
38	M. J. PIPE GLAND	NOTE 4	CAST IRON	A126	CLASS B
39	T-HEAD BOLT	NOTE 4	STEEL		SEE NOTE 6
40	WASHER	1	STEEL		PLATED
41	CAP SCREW	1	STEEL		
42	BODY, MJ ENDS	1	CAST IRON		SEE NOTE 3

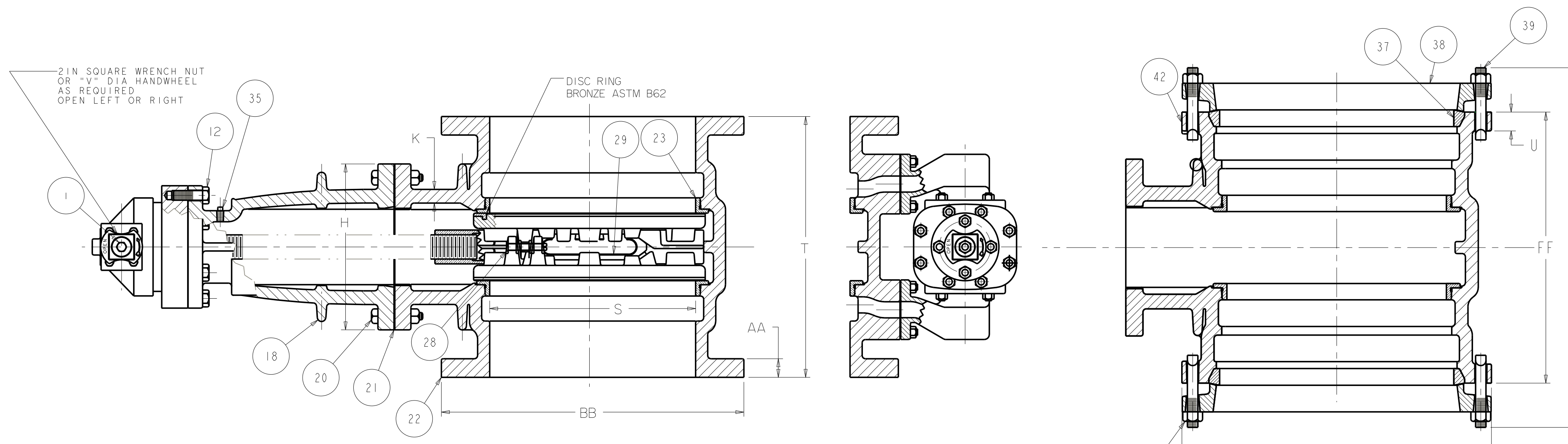
BY-PASS VALVE PARTS

43	STUD	"Y"	STEEL		GALVANIZED
44	BY-PASS ELL	2	CAST IRON	A126	CLASS B
45	BY-PASS VLV GSKT	2	RUBBER		CLOTH INSERTED
46	ELL GASKET	2	RUBBER		CLOTH INSERTED
47	BY-PASS VALVE	1	SEE BY-PASS VALVE CHART		

VALVE SIZE	TURNS TO OPEN	BY-PASS VALVE SIZE	TURNS TO OPEN
16"	212±3	3"	11
18"	236±3	3"	11
20"	260±3	3"	11
24"	308±3	4"	14.5
30"	260±3	4"	14.5
36"	298±3	6"	20.5

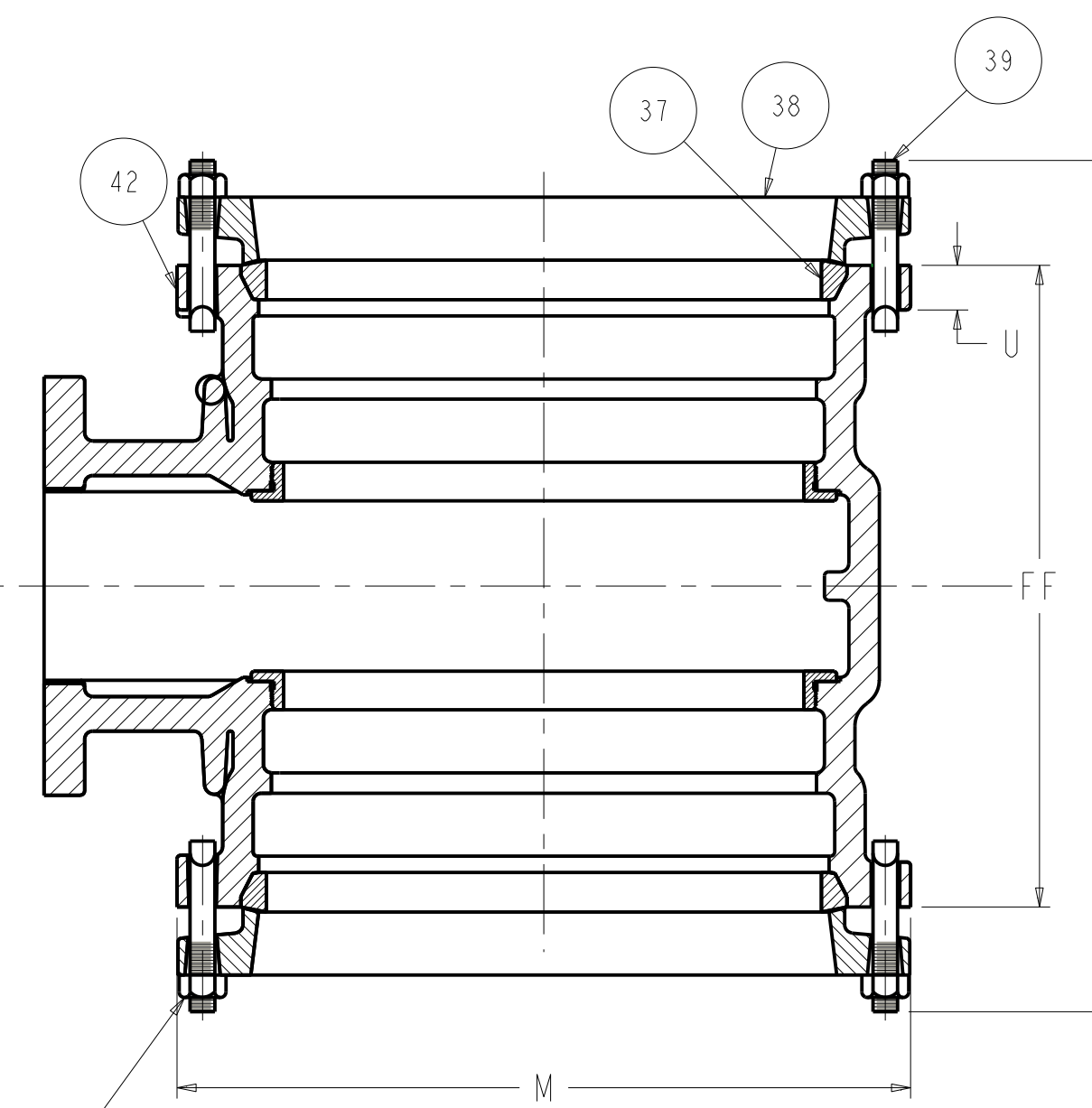
BY-PASS VALVE CHART	
BY-PASS VALVE SIZE	SUB ASS'Y DWG NO
3"	6215
4"	6176
6"	6176

- NOTES:
- SUPPLIED W/ACTUATOR BUT FINISHED BY MUELLER CO.
 - 16IN SIZE ONLY - ASTM B138 ALLOY 675 W/ADDED LEAD FOR MACHINABILITY 18IN - 36IN SIZES - ASTM B584 ALLOY 864
 - 16IN - 24IN SIZES ASTM A126 CLASS B 30IN & 36IN SIZES ASTM A126 CLASS C
 - FLANGE ACCESSORY KIT CONTAINS "P" X 2 BOLTS & NUTS, TWO GASKETS, AND TWO GLANDS FOR MJ ENDS.
 - BOLTS - SAE J429 GRADE 2 NUTS - ASTM A563 GRADE A FASTENERS - PLATED TO ASTM F1941 CLASS Fe/Zn 12C
 - ASTM A242 TYPE 1 OR ASTM A588 GRADE B

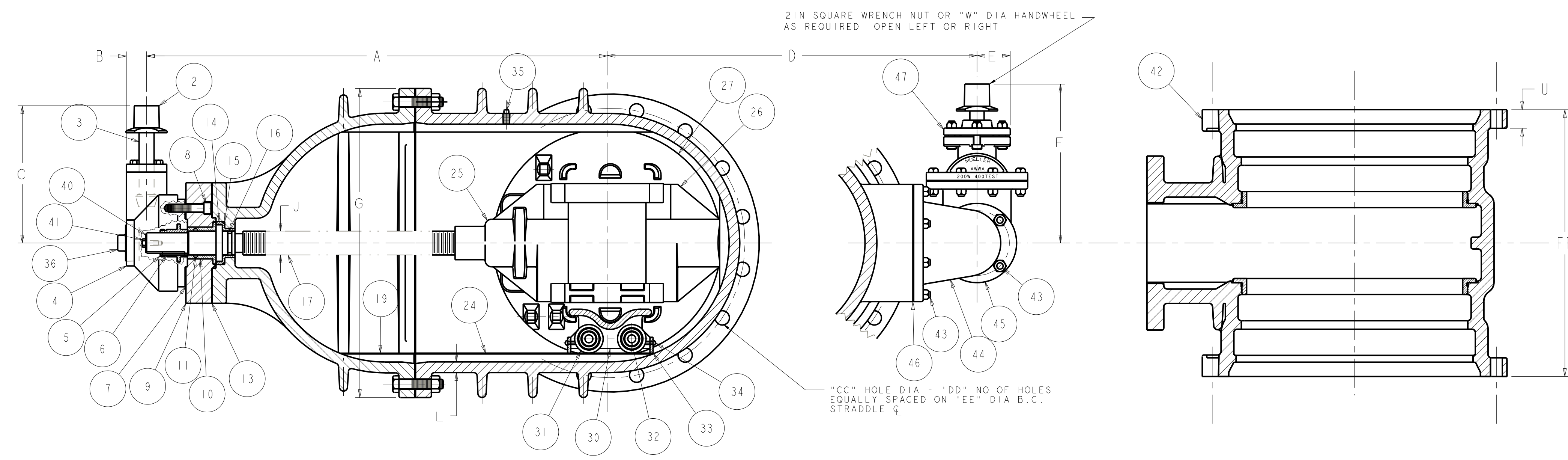


FLANGE ENDS

"N" T-HEAD BOLT DIA
 "P" NO OF T-HEAD BOLTS
 EQUALLY SPACED ON
 "R" DIA B.C. - STRADDLE ϕ



MJ ENDS W/ ACCESSORIES



MJ ENDS W/O ACCESSORIES

VALVE SIZE	A	B	C	D	E	F	G	H	J	K	L	M	N	P	R	S	T	U	V	W	X	Y	Z	AA	BB	CC	DD	EE	FF
16"	36.75	1.56	9.88	16.88	4.00	12.50	24.38	12.88	1.88	1.06	0.84	22.56	0.75	12	21.00	16.00	20.25	1.38	16.00	8.0	18	20	26.00	1.44	23.50	1.12	16	21.25	19.75
18"	39.88	1.56	9.88	17.75	4.00	12.50	28.00	14.88	2.00	1.12	0.94	24.83	0.75	12	23.25	18.00	22.00	1.44	18.00	8.0	20	20	27.00	1.56	25.00	1.25	16	22.75	21.00
20"	44.88	1.62	9.88	18.88	4.00	12.50	30.50	16.12	2.12	1.18	1.00	27.08	0.75	14	25.50	20.00	22.25	1.50	20.00	8.0	20	20	27.50	1.69	27.50	1.25	20	25.00	21.50
24"	53.12	2.00	11.56	23.12	4.50	15.00	35.25	18.00	2.38	1.44	1.18	31.58	0.75	16	30.00	24.00	25.50	1.62	24.00	11.0	24	24	30.25	1.88	32.00	1.38	20	29.50	23.50
30"	64.62	2.50	11.56	26.88	4.50	15.00	42.62	21.00	3.00	1.94	1.56	39.12	1.00	20	36.88	30.00	28.75	1.81	30.00	11.0	32	24	36.36	2.12	38.75	1.38	28	36.00	28.00
36"	75.25	2.50	11.56	30.25	5.94	18.12	49.75	23.25	3.25	2.19	1.75	46.00	1.00	24	43.75	36.00	32.00	2.31	30.00	13.0	36	36	38.38	2.38	46.00	1.62	32	42.50	31.00

DR BY: JAD	DATE: 01/04/12	UNLESS OTHERWISE NOTED	THIRD ANGLE PROJECTION	C.D. NO.
CHKD: CGH	DATE: 01/04/12	BREAK CAST CORNERS!		PART. NO.
ENGR: CGH	DATE: 01/04/12	BREAK MACH CORNERS!		
MFR:		TOLERANCES	PURCH. NO.	FINISH ASSY.
MFG:		UNLESS OTHERWISE NOTED	REF. NO.	SCALE NONE
TOOL:		LINEAR ±	ANGULAR ±	STR. NO.
FDRT:				

MAT'L: NOTED

DESCR: 16IN - 36IN DOUBLE DISC GATE VALVES MJ&MJ & FLX'L - BEVEL GEAR - BOTTOM BY-PASS OPTIONAL MJ ACCESSORIES

Mueller Co. NUMBER 6955

APPROVED
 By Charles Hines at 3:55 pm, Jan 09, 2012

16IN - 36IN DOUBLE DISC GATE VALVES - MJ&MJ & FLX'L - BEVEL GEAR - BOTTOM BY-PASS - OPTIONAL MJ ACCESSORIES
 6955