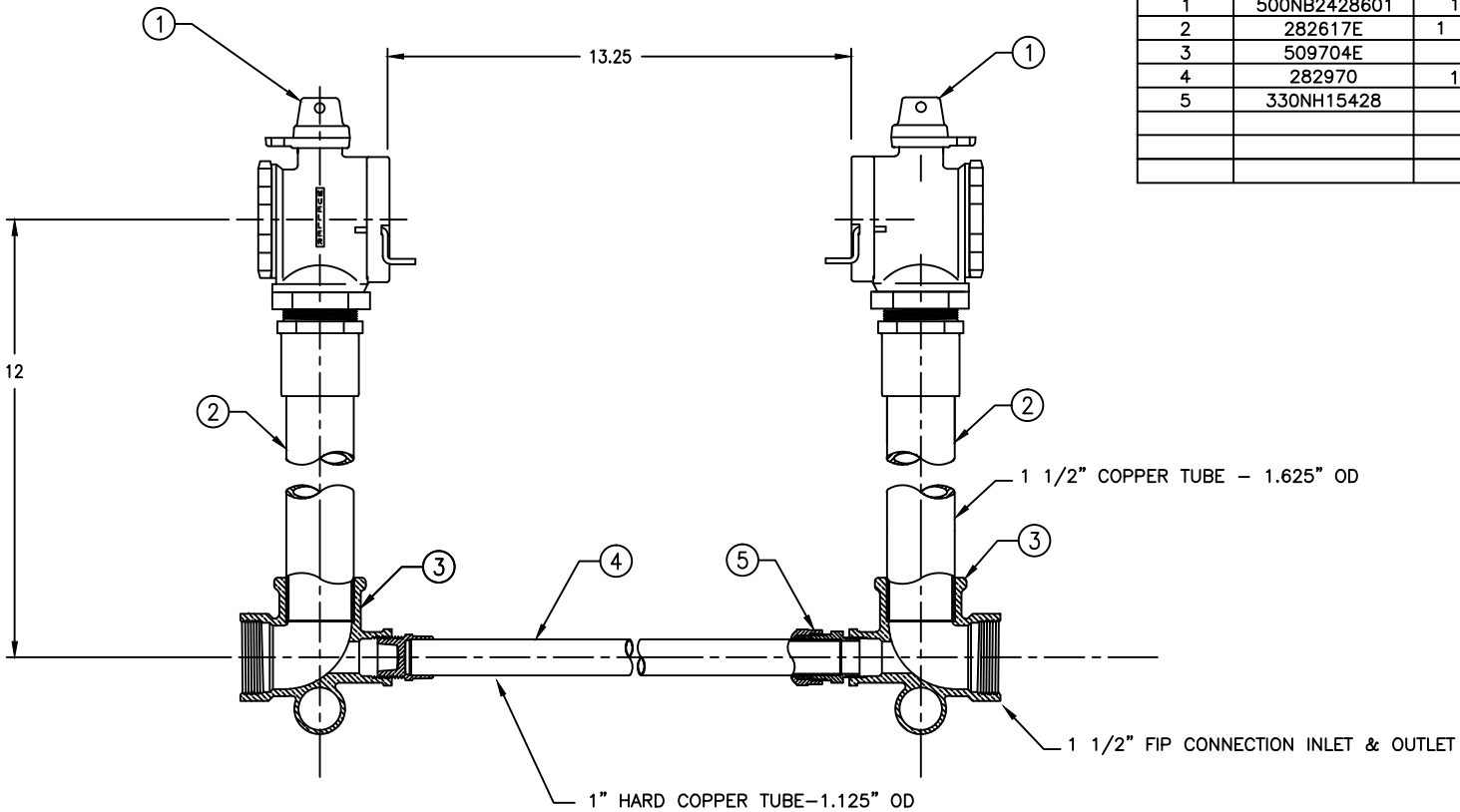


ITEM	PART NO.	DESCRIPTION	QTY.
1	500NB2428601	1 1/2" ANGLE BALL VALVE	2
2	282617E	1 1/2" RISER SUB ASSEMBLY	2
3	509704E	TEE	2
4	282970	1" TIE BAR SUB ASSEMBLY	1
5	330NH15428	1" SERVICE FITTING	1



A/C	(MILLIMETER)	TOLERANCES - MACHINING UNLESS OTHERWISE NOTED	THIRD ANGLE PROJECTION		
	INCH				
INITIAL RELEASE		BREAK EDGES	FINISH SURFACES	PURCH.	FINISH
DRFT'R	AGW 5/21/15	MACH. .006/.016	125	REF. NO.	SCALE
CHK'R		FRACTIONS	DECIMALS	ANGLES	NONE
APP		±1/64	2 PL ±.025 3 PL ±.010	±1'	
E.O. NUMBER				STK. NO.	
MATERIAL		DESCR.		REVISION	NUMBER
		1 1/2 X 12 COPPER METER YOKE HORIZONTAL INLET & OUTLET-LOW LEAD (FOR 1 1/2" FLANGED METERS)			695B2422-00N

REV.	DESCRIPTION	REF.	DRFT'R	CHK'R	APP	DATE

695B2422-00N