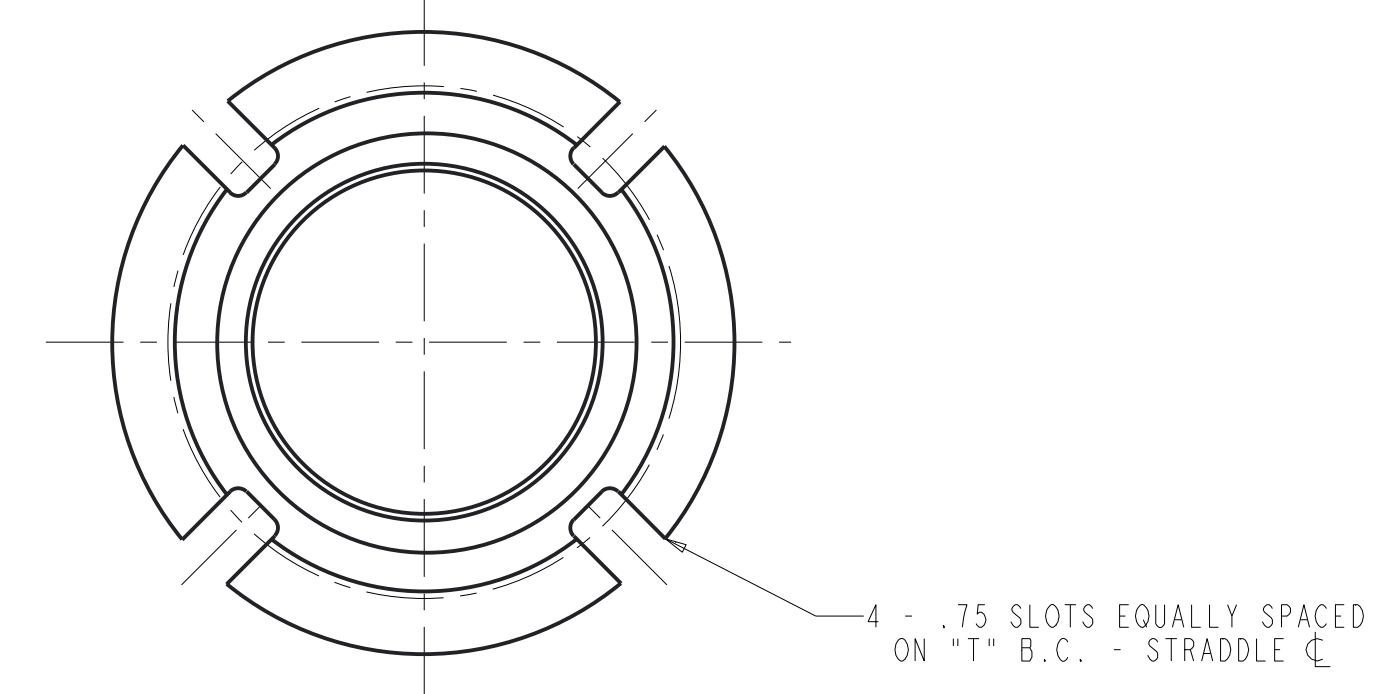
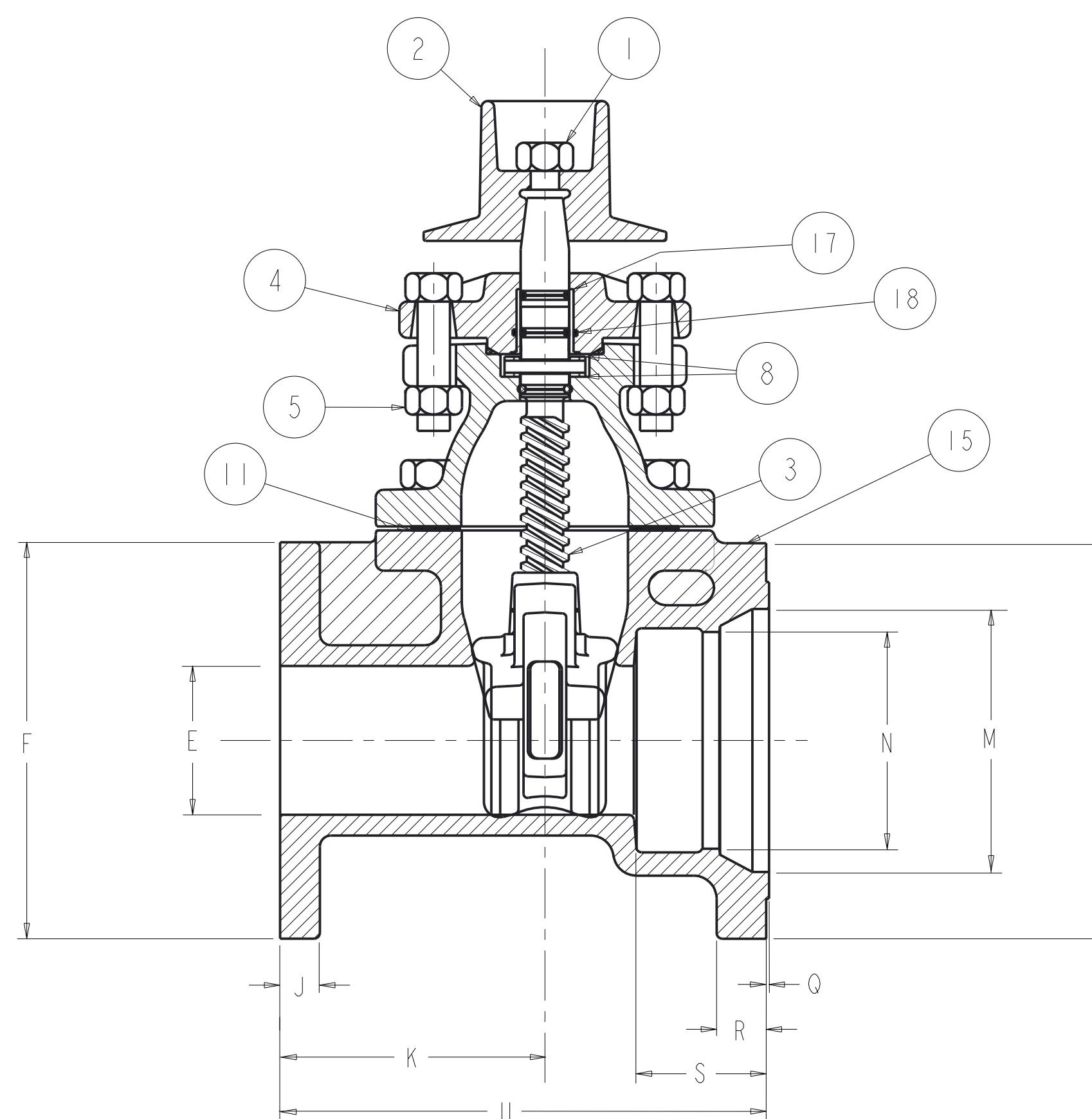
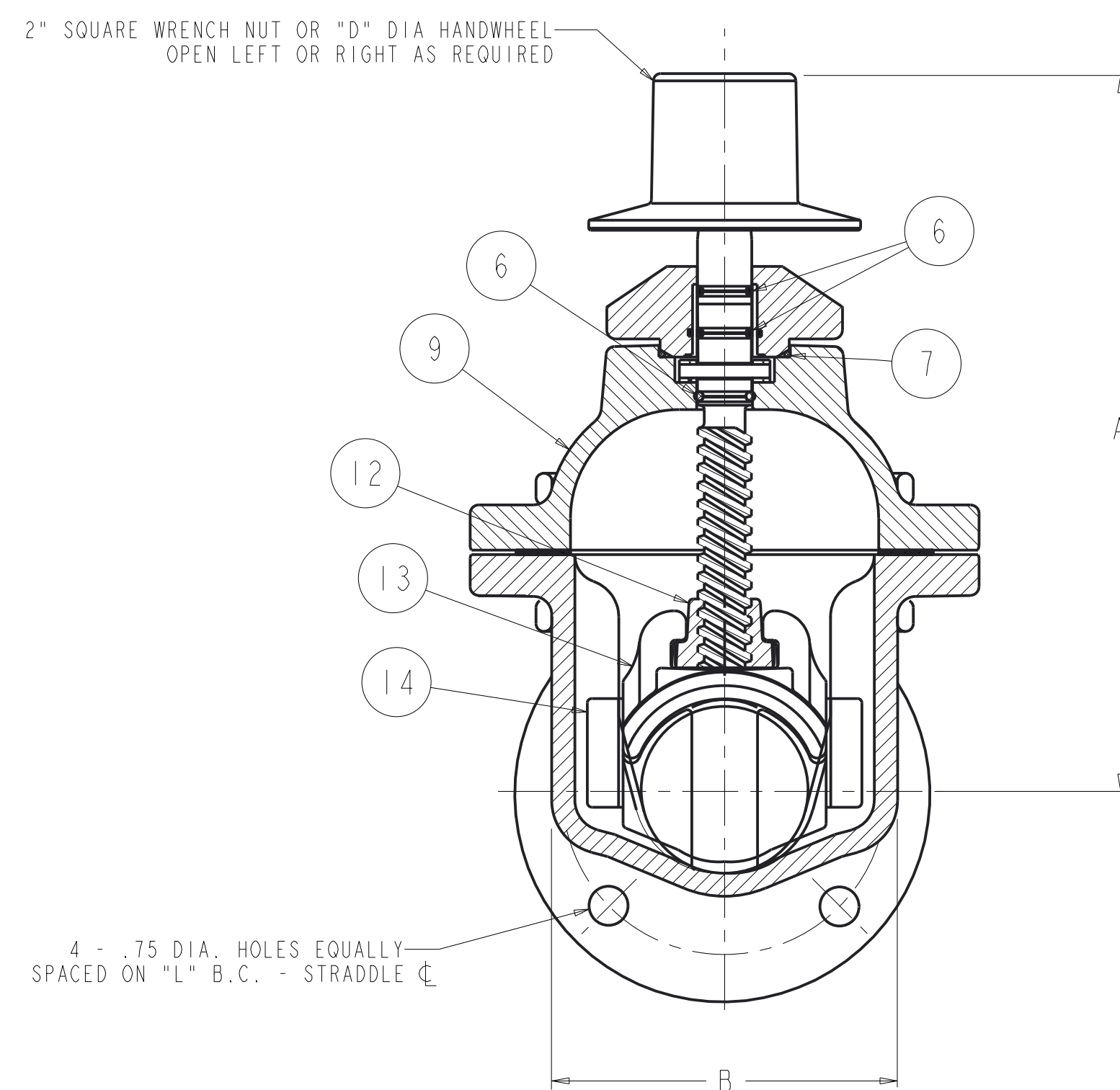


PART LIST					
ITEM	DESCRIPTION	REQ'D	MATERIAL	ASTM	
1	CAP SCREW	1	304 STAINLESS STEEL	F593	GROUP 1-CW
2	WRENCH NUT	1	CAST IRON [SEE NOTE 2]	A126	CLASS B
3	STEM	1	304 STAINLESS STEEL	A276 A473	
4	STUFFING BOX	1	CAST IRON [SEE NOTE 2]	A126	CLASS B
5	STUFFING BOX BOLT STUFFING BOX NUT	2	304 STAINLESS STEEL 304 STAINLESS STEEL	F593 F594	GROUP 1-CW
6	O-RING	3	RUBBER	D2000	NITIRLE
7	O-RING	1	RUBBER	D2000	NITIRLE
8	ANTI-FRICTION WASHER	2	CELCON		
9	BONNET	1	CAST IRON [SEE NOTE 2]	A126	CLASS B
10	BONNET BOLT BONNET NUT	"V"	304 STAINLESS STEEL 304 STAINLESS STEEL	F593 F594	GROUP 1-CW
11	BONNET GASKET	1	RUBBER	D2000	NEOPRENE
12	DISC NUT	1	BRONZE	B62	ALLOY C83600
13	DISC	1	SEE NOTE 1 & 2		
14	GUIDE CAP	2	CELCON		
15	FLxMJ TAP BODY	1	CAST IRON [SEE NOTE 2]	A126	CLASS B
16	MJxMJ BODY	1	CAST IRON [SEE NOTE 2]	A126	CLASS B
17	THRUST SLEEVE	1	CELCON	M90	
18	O-RING	1	EPDM RUBBER	D2000	R73

NOTES:
 1. RUBBER ENCAPSULATED CAST IRON DISC
 CAST IRON - ASTM A126 - CLASS B
 RUBBER - SBR - ASTM D2000
 2. MANUFACTURER'S OPTION TO UPGRADE MAT'L
 TO DI - A536 GR 65-45-12



DIMENSIONS FOR MUELLER RESILIENT WEDGE TAPPING/GATE VALVE (this drawing only)

SIZE	A	B	C	D	E	F	G	H	J	K	L	M	N	P	Q	R	S	T	U	V	W	X	Y	Z	TURNS TO OPEN
3	12.38	6.01	8.63	8.00	3.30	7.50	N/A	N/A	.75	4.55	6.00	4.98	4.08	7.50	.06	.94	2.56	6.19	8.80	6	7.50	.94	2.50	9.62	11

DR BY: JW	08/05/13	UNLESS OTHERWISE NOTED	THIRD ANGLE PROJECTION	C.D. NO.
CHKD: JWM	08/05/13	BREAK CAST CORNERS!		PATT. NO.
ENGR: CGH	08/03/13	BREAK MACH CORNERS!		
MFR:		TOLERANCES	REF. NO.	FINISH
MFG:		UNLESS OTHERWISE NOTED	SCALE	ASSY
TOOL:		L INEAR	ANGULAR	NONE
FBY:		±	±	STR. NO.

MAT'L	NOTED	DESCR.	3" A2360 W/ 304 SS STEM	NUMBER	7097
-------	-------	--------	-------------------------	--------	------

APPROVED
 By Charles Graham Hines at 1:42 pm, Aug 06, 2013

7097 3" A2360 W/ 304 STAINLESS STEEL STEM