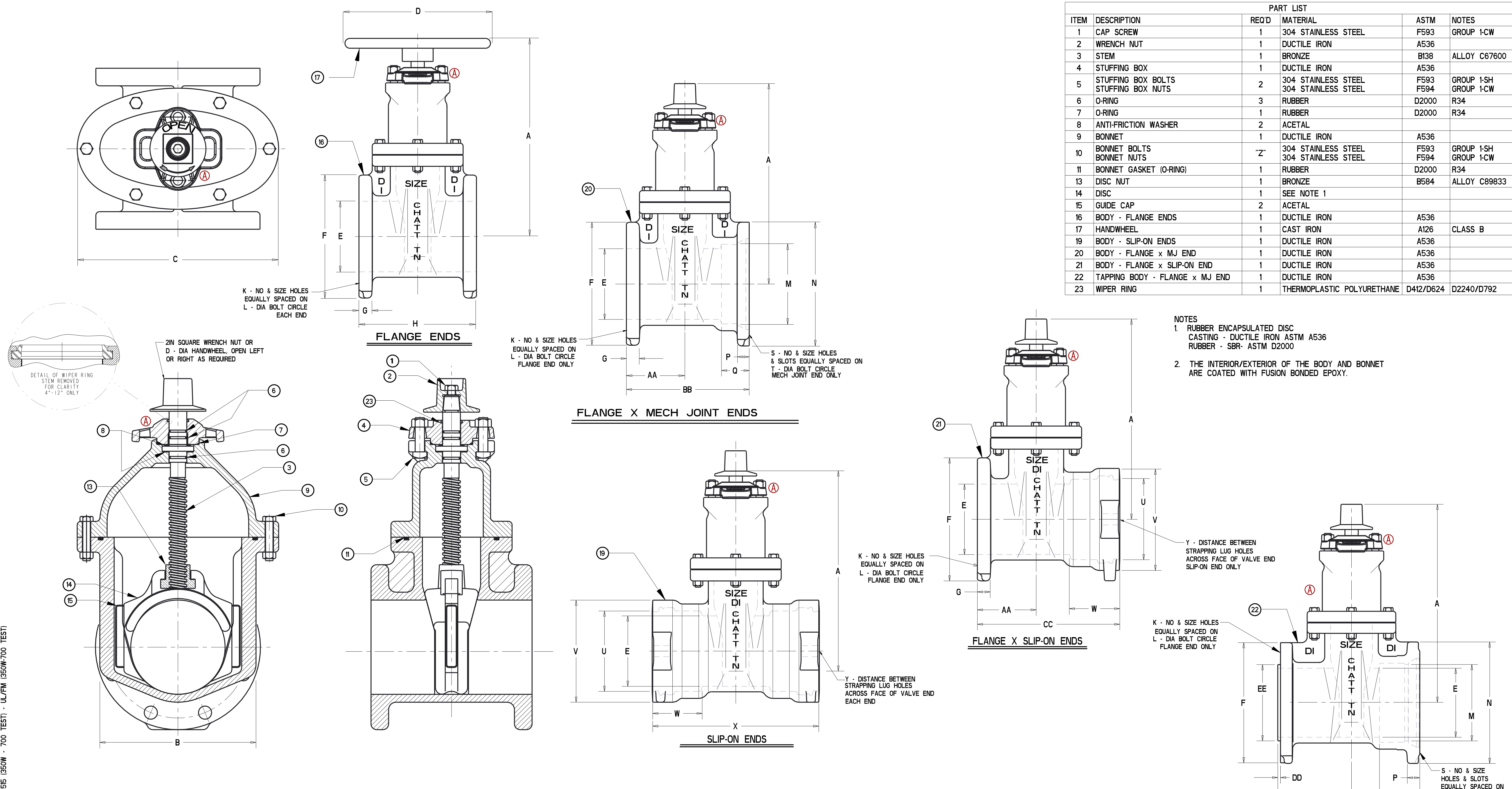


PART LIST					
ITEM	DESCRIPTION	REQ'D	MATERIAL	ASTM	NOTES
1	CAP SCREW	1	304 STAINLESS STEEL	F593	GROUP 1-CW
2	WRENCH NUT	1	DUCTILE IRON	A536	
3	STEM	1	BRONZE	B138	ALLOY C67600
4	STUFFING BOX	1	DUCTILE IRON	A536	
5	STUFFING BOX BOLTS STUFFING BOX NUTS	2	304 STAINLESS STEEL 304 STAINLESS STEEL	F593 F594	GROUP 1-SH GROUP 1-CW
6	O-RING	3	RUBBER	D2000	R34
7	O-RING	1	RUBBER	D2000	R34
8	ANTI-FRICTION WASHER	2	ACETAL		
9	BONNET	1	DUCTILE IRON	A536	
10	BONNET BOLTS BONNET NUTS	"Z"	304 STAINLESS STEEL 304 STAINLESS STEEL	F593 F594	GROUP 1-SH GROUP 1-CW
11	BONNET GASKET (O-RING)	1	RUBBER	D2000	R34
13	DISC NUT	1	BRONZE	B584	ALLOY C89833
14	DISC	1	SEE NOTE 1		
15	GUIDE CAP	2	ACETAL		
16	BODY - FLANGE ENDS	1	DUCTILE IRON	A536	
17	HANDWHEEL	1	CAST IRON	A126	CLASS B
19	BODY - SLIP-ON ENDS	1	DUCTILE IRON	A536	
20	BODY - FLANGE x MJ END	1	DUCTILE IRON	A536	
21	BODY - FLANGE x SLIP-ON END	1	DUCTILE IRON	A536	
22	TAPPING BODY - FLANGE x MJ END	1	DUCTILE IRON	A536	
23	WIPER RING	1	THERMOPLASTIC POLYURETHANE	D412/D624	D2240/D792



NOTES
 1. RUBBER ENCAPSULATED DISC
 CASTING - DUCTILE IRON ASTM A536
 RUBBER - SBR- ASTM D2000
 2. THE INTERIOR/EXTERIOR OF THE BODY AND BONNET
 ARE COATED WITH FUSION BONDED EPOXY.

DIMENSIONS FOR RESILIENT WEDGE VALVE - INCHES / [MILLIMETERS] (this drawing only)

VALVE SIZE	A	B	C	D	E	F	G	H	K	L	M	N	P	Q	S	T	U	V	W	X	Y	Z	AA	BB	CC	DD	EE	FF	GG	TURN TO OPEN
4	14.19 [360.43]	7.75 [196.85]	10.79 [274.07]	11.00 [279.40]	4.30 [109.22]	9.00 [228.60]	.78 [19.81]	9.00 [228.60]	8-0.75 [8-19.05]	7.50 [190.50]	4.90 [124.46]	9.03 [229.36]	.60 [15.24]	2.50 [63.50]	4-0.88 [4-22.35]	7.50 [190.50]	4.92 [124.97]	6.88 [174.75]	4.12 [104.65]	12.81 [325.37]	8.62 [218.95]	4	4.50 [114.30]	9.50 [241.30]	10.91 [277.11]	.19 [4.78]	4.97 [126.60]	6.24 [158.50]	11.91 [302.51]	14
6	18.00 [457.20]	9.97 [253.24]	13.50 [342.90]	13.00 [330.20]	6.30 [160.02]	11.00 [279.40]	.93 [23.62]	10.50 [266.70]	8-0.88 [8-22.35]	9.50 [241.30]	7.00 [177.80]	11.06 [280.92]	.66 [16.76]	2.50 [63.50]	6-0.88 [6-22.35]	9.50 [241.30]	7.02 [178.31]	9.12 [231.65]	4.38 [111.25]	14.96 [379.98]	10.62 [269.75]	6	5.25 [133.35]	11.06 [280.92]	12.73 [323.34]	.25 [6.35]	6.97 [177.42]	6.75 [171.45]	13.00 [330.2]	20.5
8	21.50 [546.10]	12.60 [320.04]	16.36 [415.54]	14.00 [355.60]	8.30 [210.82]	13.50 [342.90]	.93 [23.62]	11.50 [292.10]	8-0.88 [8-22.35]	11.75 [298.45]	9.15 [232.41]	13.31 [338.07]	1.05 [26.67]	2.50 [63.50]	6-0.88 [6-22.35]	11.75 [298.45]	9.30 [236.22]	11.38 [289.05]	5.62 [142.75]	17.94 [455.68]	13.12 [333.25]	6	5.75 [146.05]	12.09 [307.09]	14.72 [373.89]	.25 [6.35]	8.97 [228.22]	7.50 [190.5]	14.75 [374.65]	26.5
10	25.50 [647.70]	16.48 [418.59]	19.99 [507.75]	16.00 [406.40]	10.30 [261.62]	16.00 [406.40]	1.25 [31.75]	13.00 [330.20]	12-1.00 [12-25.40]	14.25 [361.95]	11.20 [284.48]	15.62 [396.75]	1.25 [31.75]	2.50 [63.50]	8-0.88 [8-22.35]	14.00 [355.60]	11.38 [289.05]	13.50 [342.90]	5.62 [142.75]	18.50 [469.90]	16.38 [416.05]	8	6.50 [165.10]	13.94 [354.08]	15.75 [400.05]	.25 [6.35]	10.97 [279.02]	8.44 [214.38]	15.80 [401.32]	33
12	28.62 [726.95]	16.83 [427.48]	21.00 [533.40]	16.00 [406.40]	12.30 [312.42]	19.00 [482.60]	1.31 [33.27]	14.00 [355.60]	12-1.00 [12-25.40]	17.00 [431.80]	13.30 [337.82]	17.88 [454.15]	1.31 [33.27]	2.50 [63.50]	8-0.88 [8-22.35]	16.25 [412.75]	13.33 [338.58]	15.75 [400.05]	5.62 [142.75]	18.70 [474.98]	18.12 [460.25]	8	7.00 [177.80]	14.50 [368.30]	16.35 [415.29]	.25 [6.35]	12.97 [329.82]	8.26 [209.80]	16.26 [413.00]	38.5

APPROVED
 By Charles "Graham" Hines at 1:28 pm, Aug 27, 2014

FLANGE X MECH JOINT ENDS
 TAPPING VALVE

DR BY: JWM	03/12/14	UNLESS OTHERWISE NOTED	THIRD ANGLE PROJECTION	C.B. NO.
ENGR: CGH	03/12/14	BREAK CAST CORNER(S)	BREAK MACH CORNER(S)	PATT. NO.
MFG:		TOLERANCES	NO. ASSY	SCALE
TOOL:		UNLESS OTHERWISE NOTED	REF. NO.	NONE
DATE: 08/15/14		LINEAR	ANGULAR	STK. NO.
MATERIAL: NOTED		DESCR.: 4IN - 12IN RWGV 2361 AWWA C515 - 350W - 700 TEST UL/FM 350W - 700 TEST		
Mueller Co.		NUMBER: 7126		

7126
 4IN - 12IN RWGV 2361 - AWWA C515 (350W - 700 TEST) - UL/FM (350W-700 TEST)