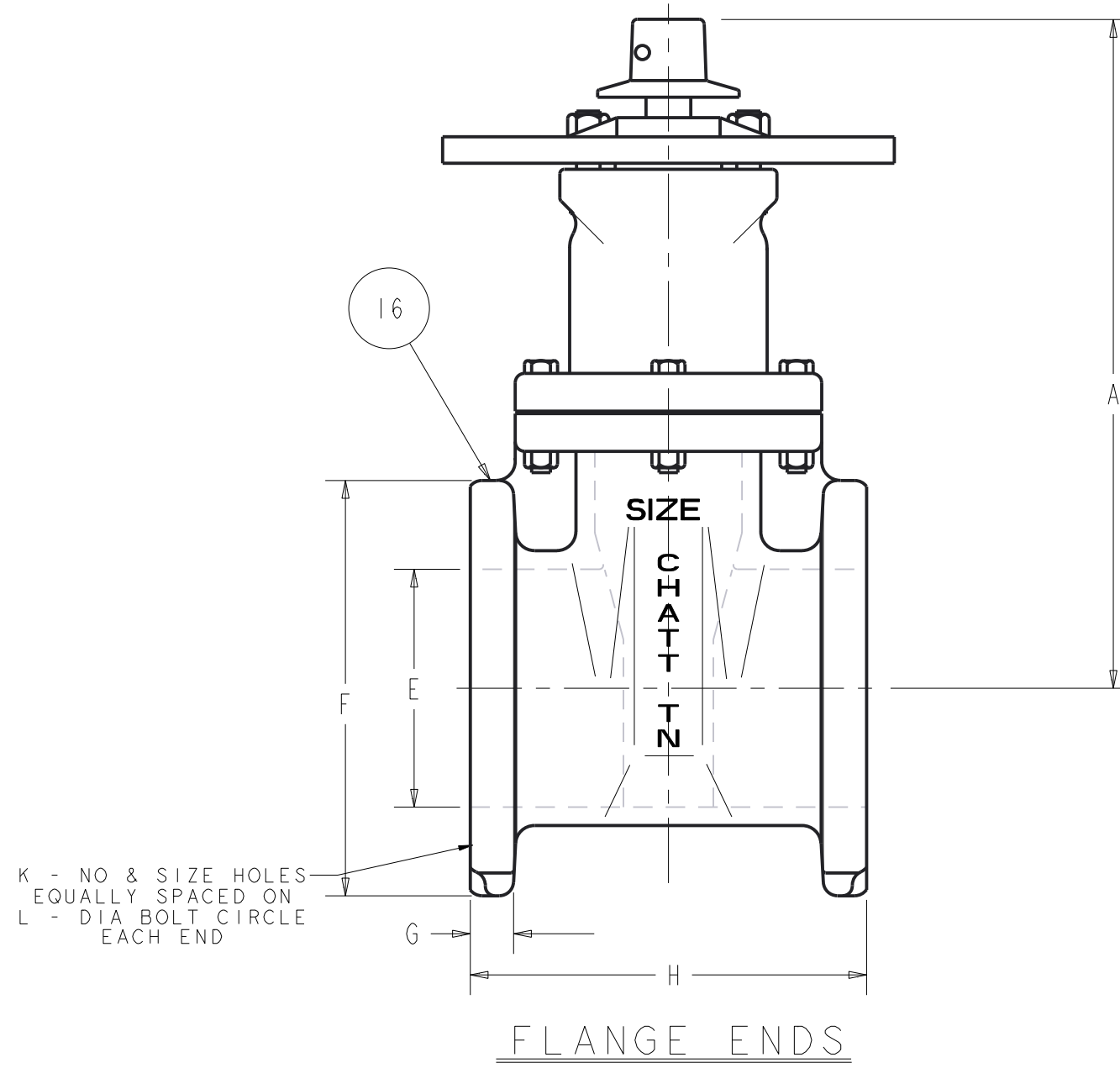
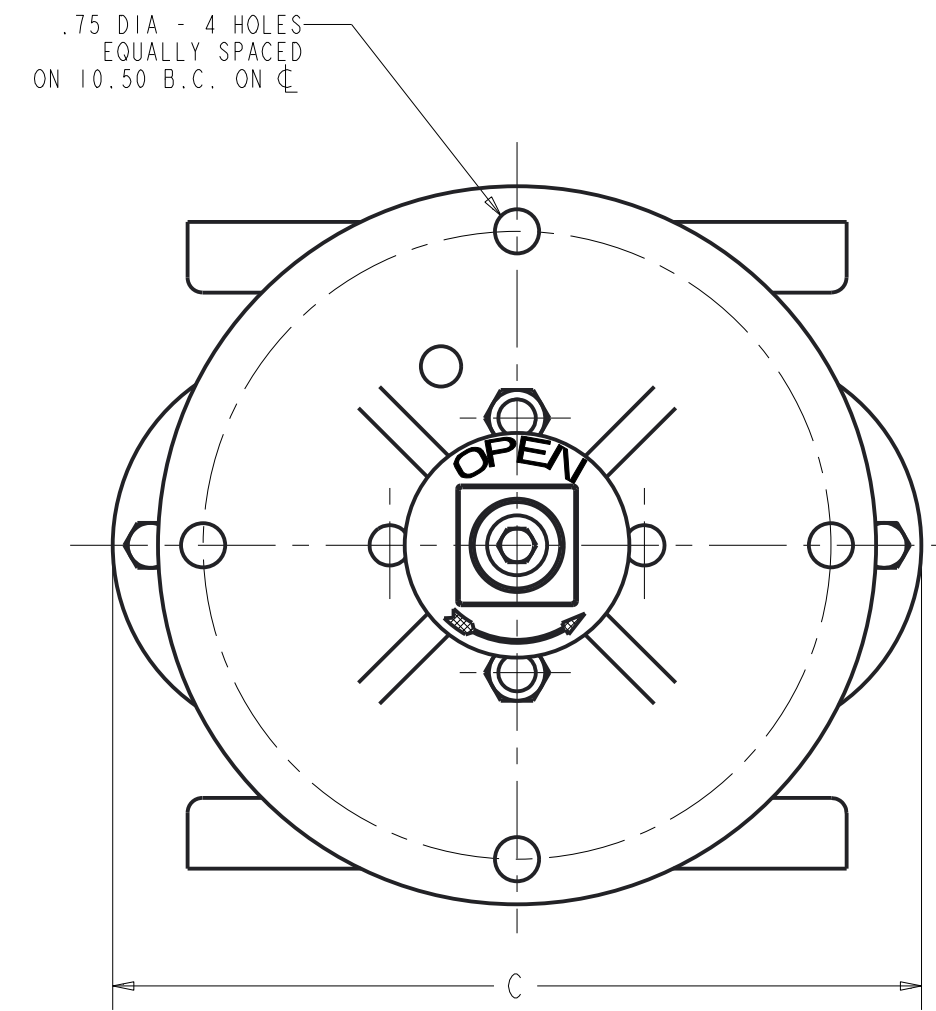
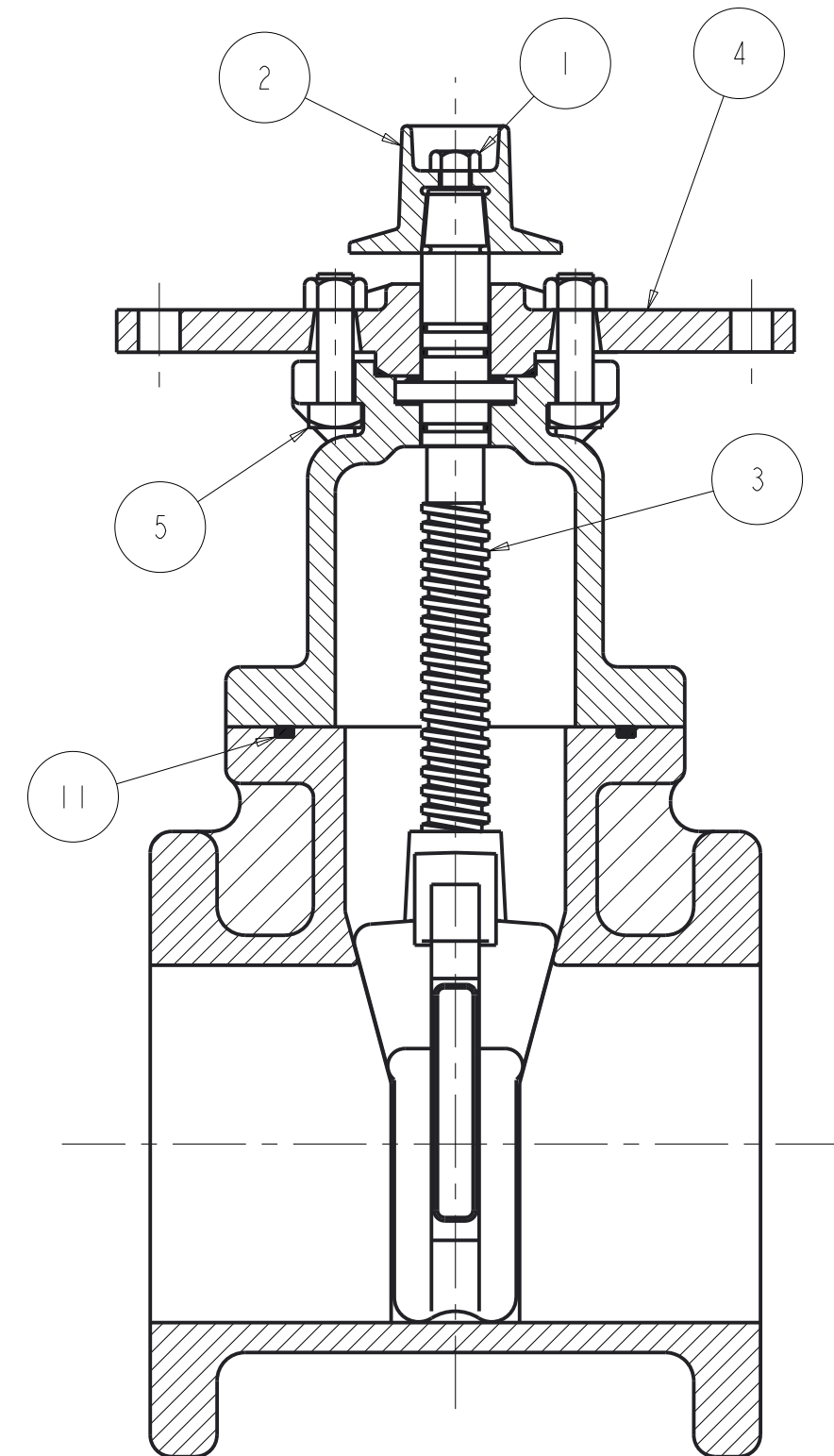
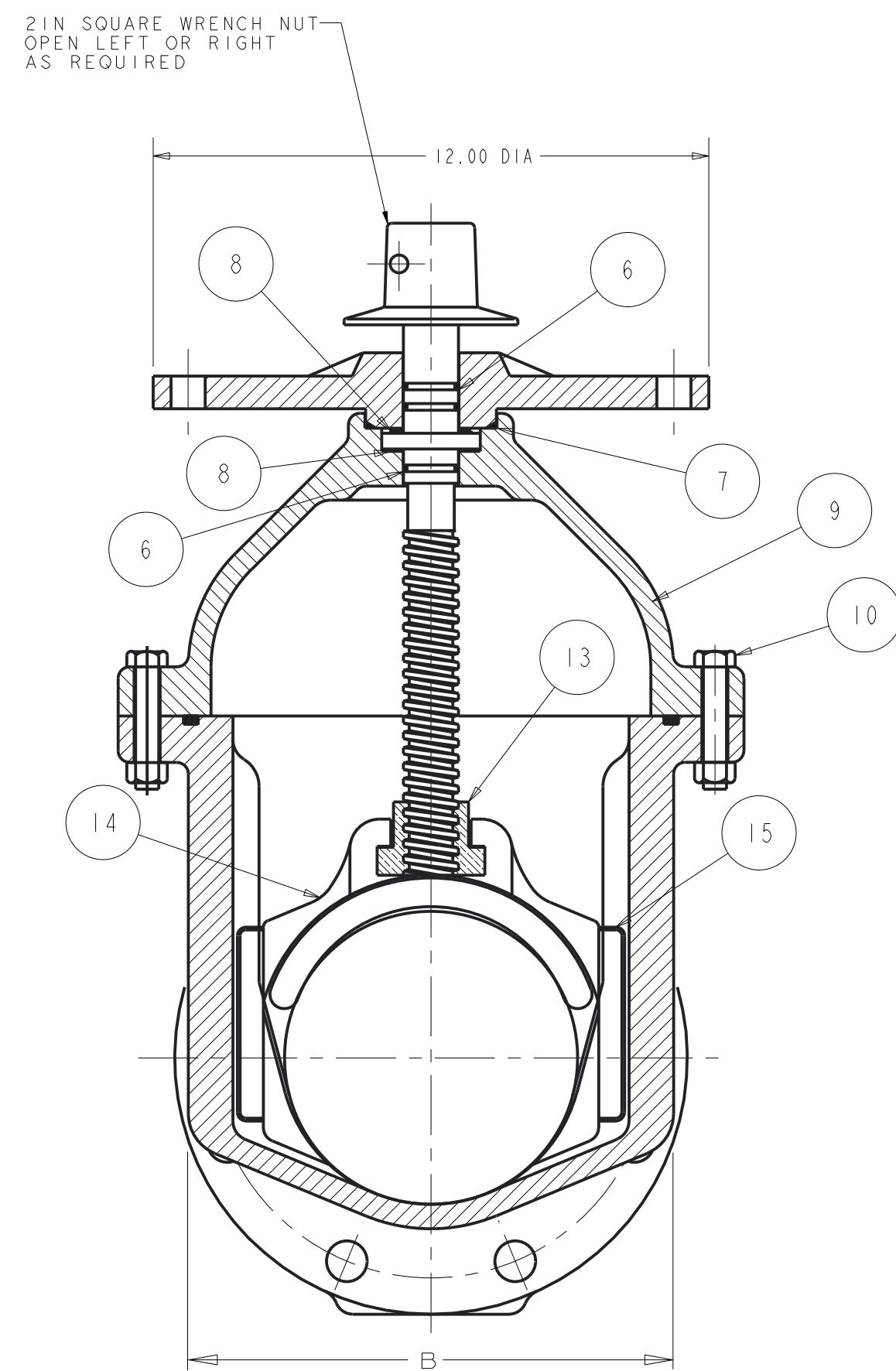




7168 4IN - 12IN RWGV P-2361 - AWWA C515 - 350W - 700 TEST - UL/FM 350W - 700 TEST



K - NO & SIZE HOLES  
EQUALLY SPACED ON  
L - DIA BOLT CIRCLE  
EACH END



PART LIST					
ITEM	DESCRIPTION	REQD	MATERIAL	ASTM	
1	CAP SCREW	1	304 STAINLESS STEEL	F593	GROUP I-CW
2	WRENCH NUT	1	DUCTILE IRON	A536	
3	STEM	1	BRONZE	B138	C67600
4	STUFFING BOX	1	DUCTILE IRON	A536	
5	STUFFING BOX BOLTS STUFFING BOX NUTS	2	304 STAINLESS STEEL 304 STAINLESS STEEL	F593 F594	GROUP I-CW GROUP I-CW
6	O-RING	3	RUBBER	D2000	R34
7	O-RING	1	RUBBER	D2000	R34
8	ANTI-FRICTION WASHER	2	ACETAL		M90
9	BONNET	1	DUCTILE IRON	A536	
10	BONNET BOLTS BONNET NUTS	"M"	304 STAINLESS STEEL 304 STAINLESS STEEL	F593 F594	GROUP I-CW GROUP I-CW
11	BONNET GASKET (O-RING)	1	RUBBER	D2000	R34
13	DISC NUT	1	BRONZE	B584	ALLOY C89833
14	DISC	1	SEE NOTE 1		
15	GUIDE CAP	2	ACETAL		M90
16	BODY - FLANGE ENDS	1	DUCTILE IRON	A536	

NOTE:  
1. RUBBER ENCAPSULATED DUCTILE IRON DISC  
RUBBER - SBR ASTM D2000  
DUCTILE IRON ASTM A536

DIMENSIONS FOR MUELLER RESILIENT WEDGE VALVE - INCHES (this drawing only)											
VALVE SIZE	A	B	C	E	F	G	H	K	L	M	TURN TO OPEN
4	14.19	8.25	10.79	4.30	9.00	0.94	9.00	8 - 0.75	7.50	4	14
6	18.00	10.50	13.50	6.30	11.00	1.06	10.50	8 - 0.88	9.50	6	20.5
8	21.50	13.21	16.36	8.30	13.50	1.19	11.50	8 - 0.88	11.75	6	26.5
10	25.50	16.48	19.99	10.30	16.00	1.25	13.00	12 - 1.00	14.25	8	33
12	28.62	16.83	21.00	12.30	19.00	1.31	14.00	12 - 1.00	17.00	8	38.5

**APPROVED**  
By Jeremy Miller at 2:27 pm, Jul 23, 2014

DR BY: AO	07/23/14	UNLESS OTHERWISE NOTED	THIRD ANGLE PROJECTION	C.D. NO.
CHKD: JM	07/23/14	BREAK CAST CORNERS!		PART. NO.
ENR: CGH	07/23/14	BREAK MACH CORNERS!		
MFR:		TOLERANCES	PURCH. NO.	FINISH
MFG:		UNLESS OTHERWISE NOTED	REF. NO.	SCALE
TOOL:		L INEAR	ANGULAR	NONE
FBY:		±		STR. NO.

MAT'L: NOTED	DESCR: 4IN - 12IN RWGV P-2361 AWWA C515 - 350W - 700 TEST UL/FM 350W - 700 TEST	NUMBER: 7168
--------------	---	--------------