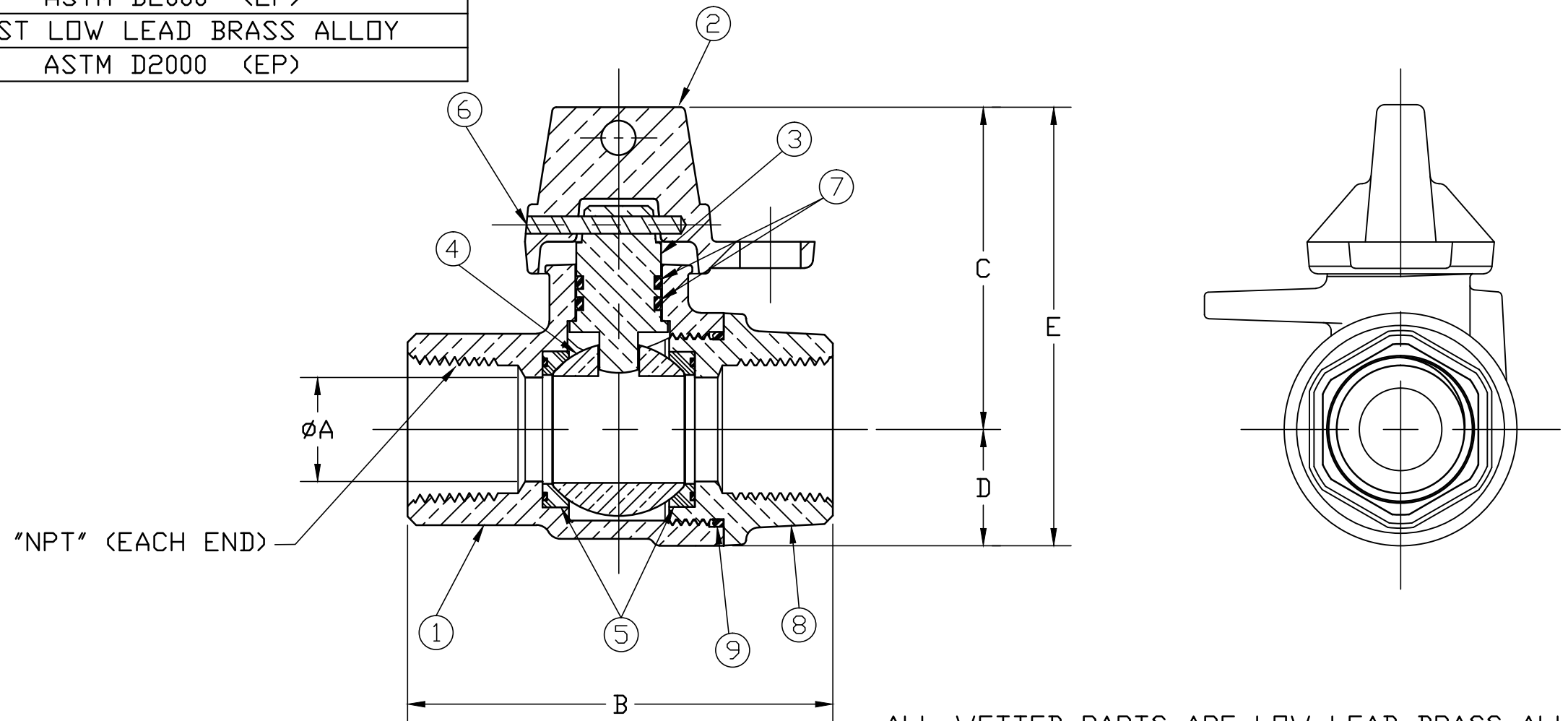


No.	DESCRIPTION	REQ'D	MATERIAL DESCRIPTION
1	BODY	1	CAST LOW LEAD BRASS ALLOY
2	CAP	1	CAST BRASS ASTM B62 ALLOY C83600
3	STEM	1	LOW LEAD BRASS ALLOY
4	BALL	1	LOW LEAD BRASS ALLOY
5	GASKET	2	ASTM D2000 (NITRILE)
6	SOLID PIN	1	AISI 304 ANNEALED STAINLESS STEEL
7	O-RING	2	ASTM D2000 (EP)
8	END PIECE	1	CAST LOW LEAD BRASS ALLOY
9	O-RING	1	ASTM D2000 (EP)

VALVE SIZE	A	B	C	D	E
3/4"	.62	3.06	2.32	.84	3.16
1"	.77	3.84	2.62	1.15	3.77



ALL WETTED PARTS ARE LOW LEAD BRASS ALLOY

FILEPATH: PROD-ENG\MUELLER\APPROVED\B20200RN

DWG NUMBER B20200RN  
 WAS EXP NO: 442-MRKTG

TITLE TO AND OWNERSHIP OF THIS ENGINEERING DATA REMAINS IN Mueller Co. NO USE IS TO BE MADE OF THIS DATA EXCEPT AS SPECIFICALLY AUTHORIZED BY Mueller Co. ASSENT ON THE PART OF THE RECIPIENT TO THESE CONDITIONS IS PRESUMED

DRFTR	RWB	5/29/13	<b>Mueller Co.</b>		
CHKR					
ENGR					
MGR					
			UNLESS OTHERWISE NOTED	THIRD ANGLE PROJECTION	
			SURFACE PREPARATION:		
			BREAK CORNER(S) ---- .000		
			SURFACE FINISH -- XX RMS	REF. No.	
			TOLERANCE(S):	SCALE	
			LINEAR ----- ± .000	FULL	
			ANGULAR ----- ± 0°00		
			STK No:		
			MAT'L:		
			DESCR.	DWG NUMBER	
			LLB INLINE REDUCED BALL METER VALVE	B20200RN	
			(FIP x FIP)		
REV	ECR	DESCRIPTION	DATE	BY	CHKR
PER EST NO: XXXX EST FIN WT = 0.0000 lbs					