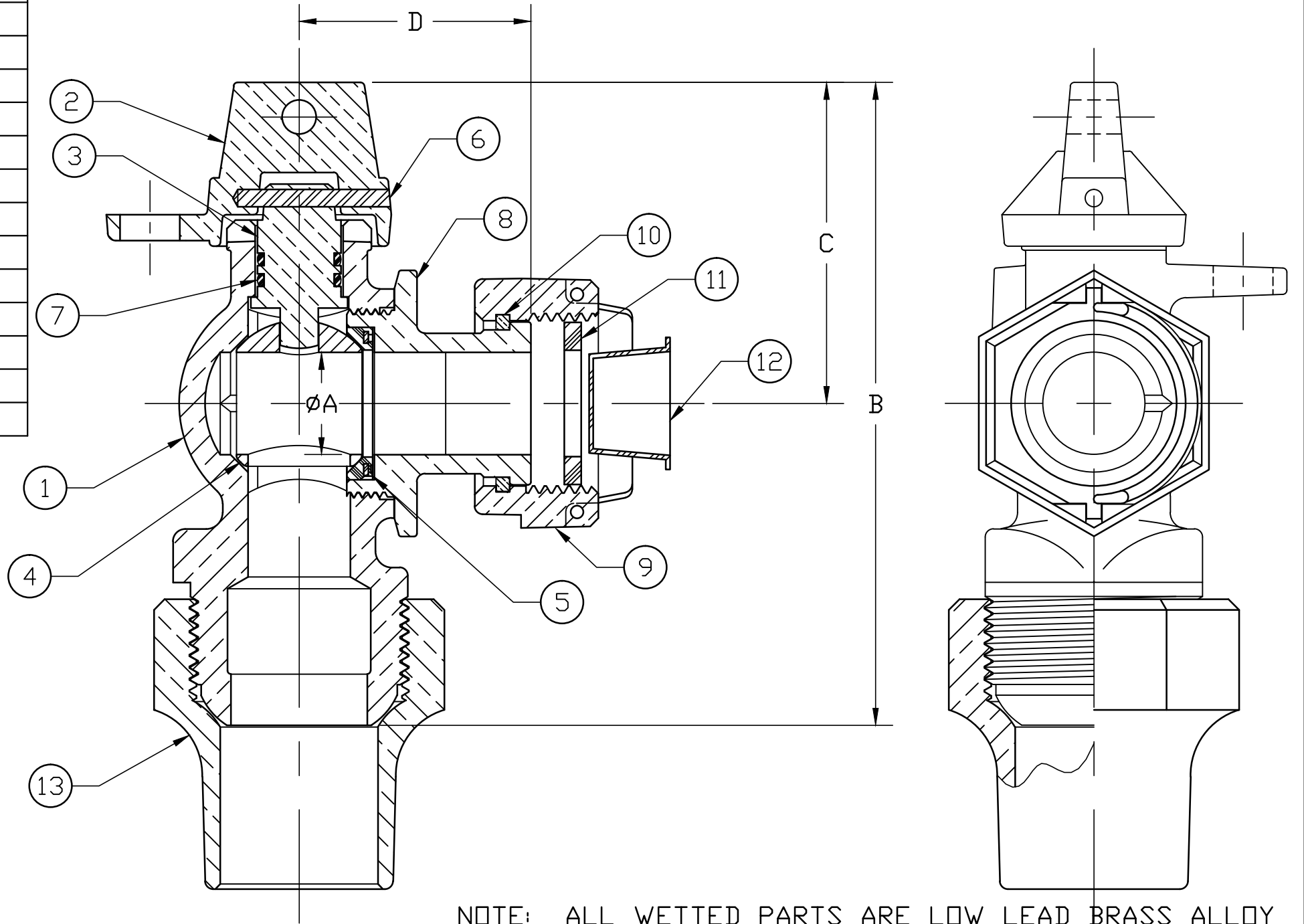


ITEM	REQ'D	DESCRIPTION	MATERIAL	ASTM	ALLOY OR TYPE
1	1	BODY	BRASS	B584	ALLOY C89520
2	1	CAP	BRASS	B62	ALLOY C83600
3	1	STEM	BRASS	B584	ALLOY C89520
4	1	BALL	BRASS	B584	ALLOY C89520
5	2	GASKET	RUBBER	D-2000	NITRILE (BUNA-N)
6	1	SPIRODL PIN	ST. STEEL	A-240	TYPE 304
7	2	O-RING	RUBBER	D-2000	CODE R-80
8	1	END PIECE	BRASS	B584	ALLOY C89520
9	1	SADDLE NUT	BRASS	B62	ALLOY C83600
10	1	SNAP RING	COPPER		ALLOY CDA521
11	1	RUBBER GASKET	RUBBER	D-2000	CODE R-9
12	1	CAP PLUG	PLASTIC	PLASTIC	RED POLYETHYLENE
13	1	COPPER TUBE NUT	BRASS	B62	ALLOY C83600



NOTE: ALL WETTED PARTS ARE LOW LEAD BRASS ALLOY

SIZE	ØA	B	C	D
5/8" x 3/4" R	.62	4.33	2.35	1.69
5/8" x 3/4"	.75	4.33	2.35	1.69
5/8" x 3/4" x 3/4" R	.62	4.33	2.35	1.69
5/8" x 3/4" x 3/4"	.75	4.33	2.35	1.69
5/8" x 3/4" x 1"	.75	4.71	2.35	1.69
1" R	.75	5.00	2.64	1.95
1"	1.00	5.00	2.64	1.95

FILEPATH: PROD-ENG\MUELLER\APPROVED\B24255N

DRFTR	RWB	12/4/07	Mueller Co.		
CHKR					
ENGR					
MGR					
			UNLESS OTHERWISE NOTED	THIRD ANGLE PROJECTION	
			SURFACE PREPARATION:		
			BREAK CORNER(S) ---- .000		
			SURFACE FINISH -- 000 RMS	REF. No.	SCALE
			TOLERANCE(S):		NONE
			LINEAR ----- ± .000		
			ANGULAR ----- ± 0°00'		
			BY	DATE	
			STK No:		
			MAT'L:		
			DESCR.	ANGLE METER VALVE	
				LOW LEAD BRASS	
			ADD REDUCE PORT	10/16/13	RWB
REV	ECR	DESCRIPTION	DATE	BY	CHKR
			PER EST NO: DXXXX	EST FIN WT = 0.0000 lbs	
				DWG NUMBER	B24255N

DWG NUMBER
B24255N
MRKTG

TITLE TO AND OWNERSHIP OF THIS ENGINEERING DATA REMAINS IN Mueller Co. NO USE IS TO BE MADE OF THIS DATA EXCEPT AS SPECIFICALLY AUTHORIZED BY Mueller Co. ASSENT ON THE PART OF THE RECIPIENT TO THESE CONDITIONS IS PRESUMED