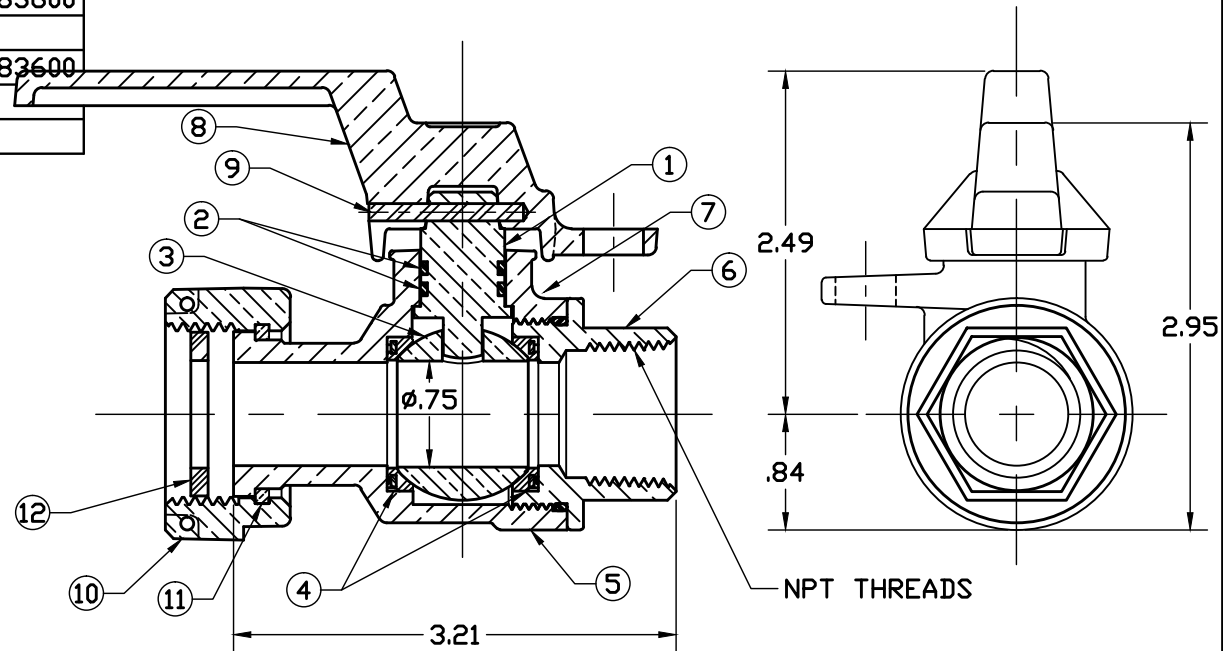
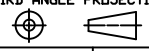


No.	DESCRIPTION	MATERIAL
1	STEM	LOW LEAD BRASS ALLOY
2	O-RING	EPDM D2000
3	BALL	LOW LEAD BRASS ALLOY
4	GASKET - SEAL	NITRILE D2000
5	BODY	CAST LOW LEAD BRASS ALLOY
6	END PIECE	CAST LOW LEAD BRASS ALLOY
7	O-RING	EPDM D2000
8	HANDLE/CAP	CAST BRASS ASTM B62 ALLOY C83600
9	SOLID PIN	AISI 303 STAINLESS STEEL
10	SADDLE NUT	CAST BRASS ASTM B62 ALLOY C83600
11	SNAP RING	COPPER ALLOY CDA521
12	RUBBER GASKET	NITRILE D2000



NOTE: ALL WETTED PARTS ARE LOW LEAD BRASS ALLOY

FILEPATH: PROD-ENG\MUELLER\ASYSUBMITTALS\B24351051N

				DRFTRJGarvin	8/30/10	<b>Mueller Co.</b>		UNLESS OTHERWISE NOTED SURFACE PREPARATION: BREAK CORNER(S) ---- .000 SURFACE FINISH -- XX RMS TOLERANCE(S): LINEAR ----- ± .000 ANGULAR ----- ± 0°00'		THIRD ANGLE PROJECTION  REF. No.      SCALE FULL		
				CHKR								
				ENGR								
				MGR								
				BY	DATE	STK No:						
				MAT'L:		DESCR.		3/4" INLINE BALL METER VALVE LOW LEAD BRASS(PLAIN NUT MTR x FIP)		PART NUMBER B24351051N		
REV				ECR	DESCRIPTION	DATE	BY	CHKR	PER EST NO: DXXXX		EST FIN WT = 0.0000 lbs	

PART NUMBER  
B24351051N  
44<sup>2</sup>-MRKTNG