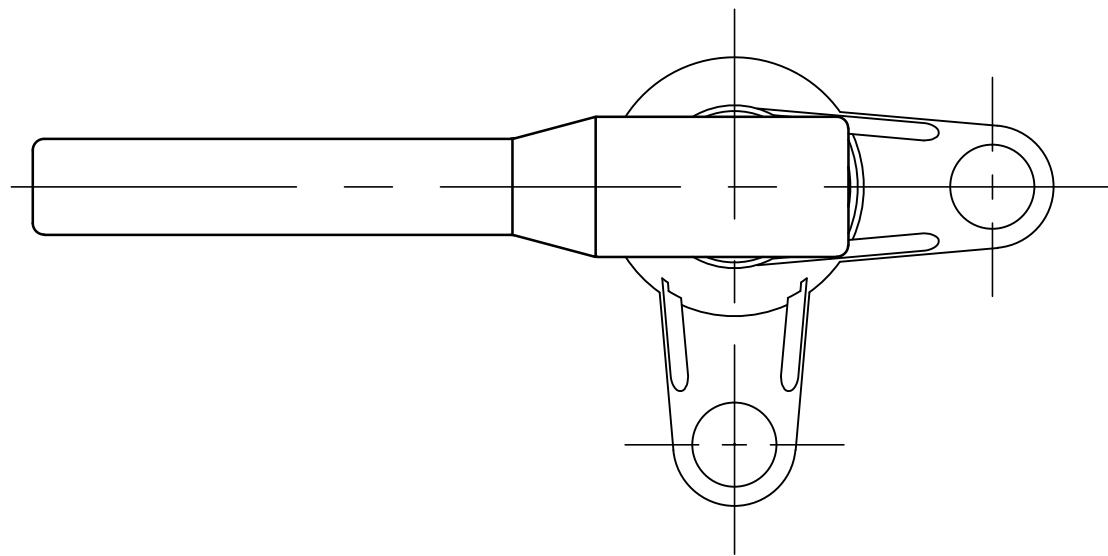
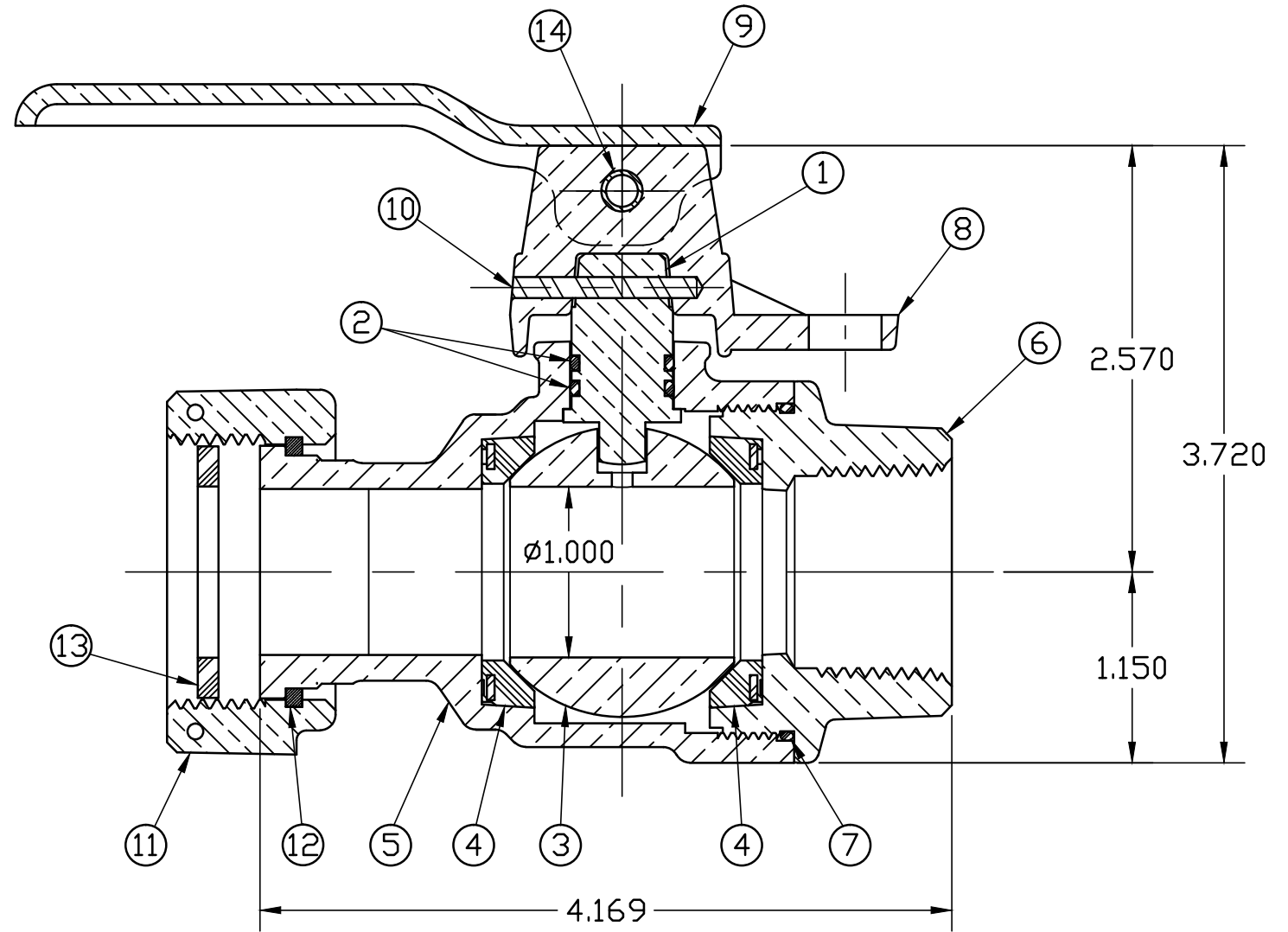


No.	DESCRIPTION	MATERIAL
1	STEM	LOW LEAD BRASS ALLOY
2	O-RING	EPDM D2000
3	BALL	LOW LEAD BRASS ALLOY
4	GASKET - SEAL	NITRILE D2000
5	BODY	CAST LOW LEAD BRASS ALLOY
6	END PIECE	CAST LOW LEAD BRASS ALLOY
7	O-RING	EPDM D2000
8	CAP	CAST BRASS ASTM B62 ALLOY C83600
9	HANDLE	CAST BRASS ASTM B62 ALLOY C83600
10	SOLID PIN	AISI 303 STAINLESS STEEL
11	SADDLE NUT	CAST BRASS ASTM B62 ALLOY C83600
12	SNAP RING	COPPER ALLOY CDA521
13	RUBBER GASKET	NITRILE D2000
14	ROLL PIN	AISI 420 STAINLESS STEEL



VIEW OF TOP OF VALVE



NOTE: ALL WETTED PARTS ARE LOW LEAD BRASS ALLOY

FILEPATH: PROD-ENG\MUELLER\ASYSUBMITTALS\B24351081N

DRFTR	RWB	6/10/11	Mueller Co.		
CHKR					
ENGR					
MGR					
UNLESS OTHERWISE NOTED			THIRD ANGLE PROJECTION		
SURFACE PREPARATION:					
BREAK CORNER(S) ---- .000					
SURFACE FINISH -- XX RMS			REF. No.	SCALE	
TOLERANCE(S):			FULL		
LINEAR ----- ± .000					
ANGULAR ----- ± 0°00'					
BY _____ DATE _____					
STK No:					
MAT'L:					
DESCR.			PART NUMBER		
1" INLINE BALL METER VALVE LOCK OPEN/CLOSE			B24351081N		
LOW LEAD BRASS (PLAIN NUT MTR x FIP)					
REV	ECR	DESCRIPTION	DATE	BY	CHKR
PER EST NO: DXXXX EST FIN WT = 0.0000 lbs					

PART NUMBER
B24351081N
44²-MRKTNG