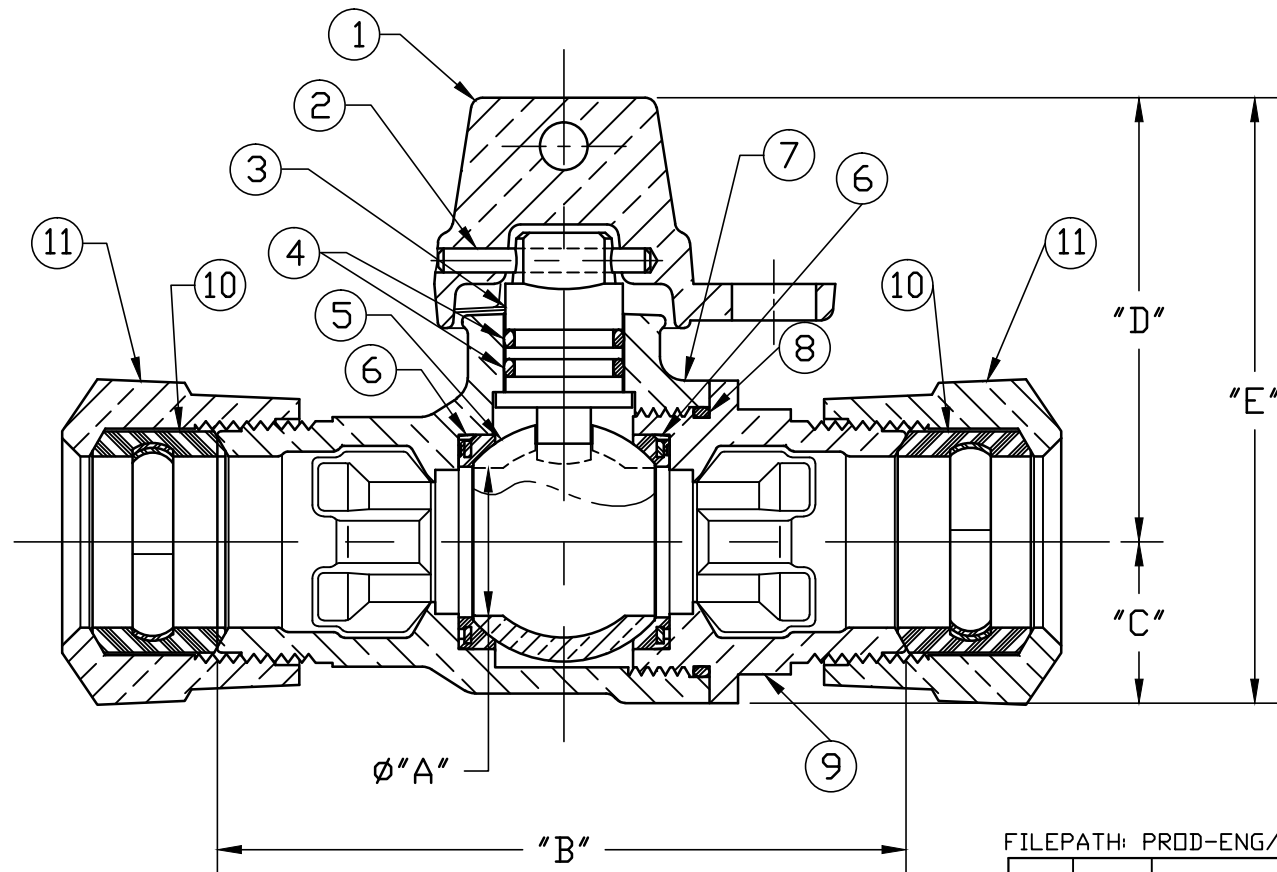


No.	DESCRIPTION	MATERIAL
1	CAP	CAST BRASS ASTM B62 ALLOY C83600
2	SOLID PIN	AISI 303 STAINLESS STEEL
3	STEM	LOW LEAD BRASS ALLOY
4	O-RING	EPDM ASTM D2000
5	BALL	LOW LEAD BRASS ALLOY
6	GASKET - SEAL	NITRILE ASTM D2000
7	BODY	CAST LOW LEAD BRASS ALLOY
8	O-RING	EPDM ASTM D2000
9	END PIECE	CAST LOW LEAD BRASS ALLOY
10	CTS GSKT SUB	SBR ASTM D2000 - GSKT410ss - BAND
11	CONNX NUT	CAST BRASS ASTM B62 ALLOY C83600



SIZE	ØA	B	C	D	E
3/4"R	.62	3.44	.75	2.11	2.86
3/4"	.75	4.00	.84	2.31	3.15
1"R	.75	3.59	.84	2.31	3.15
1"	1.00	5.06	1.15	2.62	3.77
1-1/2"	1.50	5.06	1.50	3.35	4.85
2"	2.00	5.50	1.82	3.90	5.72

ALL WETTED PARTS ARE LOW LEAD BRASS ALLOY

FILEPATH: PROD-ENG/MUELLER/ASYSUBMITTALS/B25146N

						DRFTR	RWB	2/24/14	Mueller Co.	UNLESS OTHERWISE NOTED THIRD ANGLE PROJECTION SURFACE PREPARATION: BREAK CORNER(S) ---- .000 SURFACE FINISH -- XX RMS TOLERANCE(S): LINEAR ----- ± .000 ANGULAR ----- ± 0°00'	REF. No.	SCALE NONE			
						CHKR									
						ENGR									
						MGR									
									BY	DATE					
									STK No:						
									MAT'L:						
									DESCR.	INLINE LLB BALL METER VALVE (110 CTS x 110 CTS)		DWG NUMBER B25146N			
									REV	ECR	DESCRIPTION	DATE	BY	CHKR	PER EST NO: DXXXX EST FIN WT = 0.0000 lbs

DWG NUMBER
B25146N
442-MRKTNG

TITLE TO AND OWNERSHIP OF THIS ENGINEERING
DATA REMAINS IN Mueller Co. NO USE IS TO BE
MADE OF THIS DATA EXCEPT AS SPECIFICALLY
AUTHORIZED BY Mueller Co. ASSENT ON THE PART
OF THE RECIPIENT TO THESE CONDITIONS IS PRESUMED