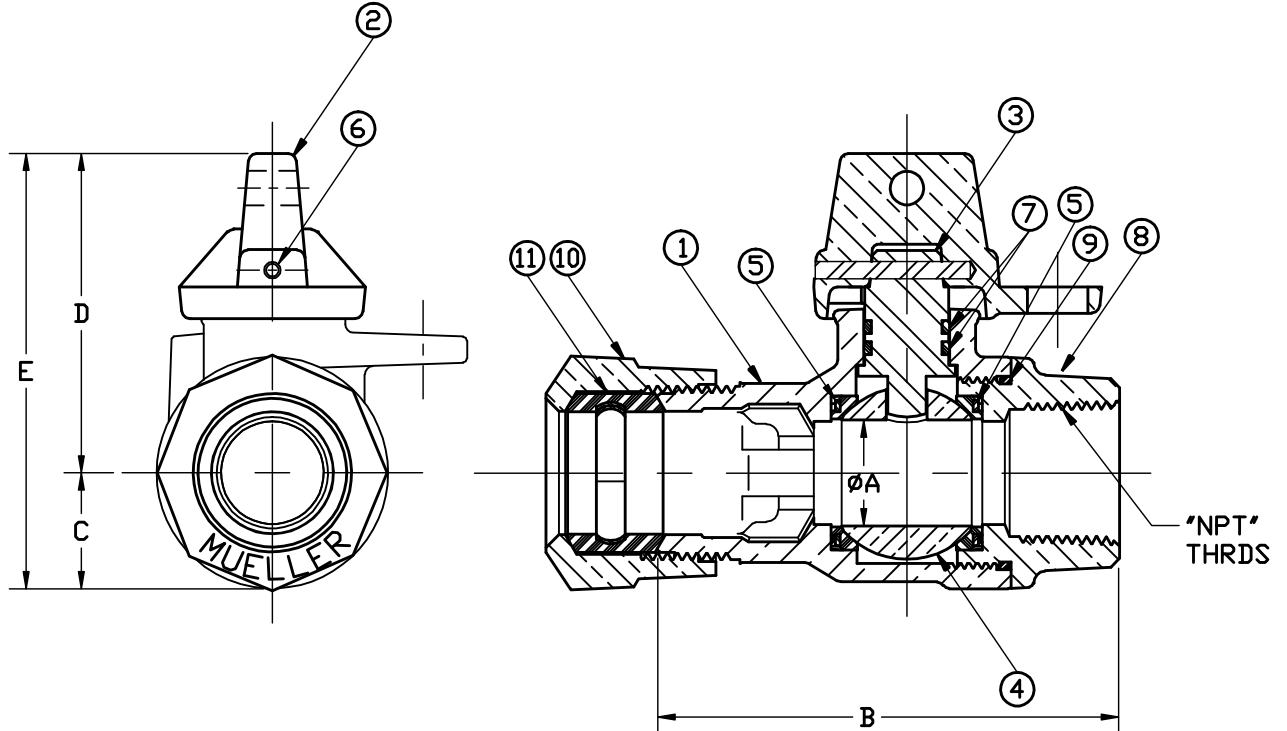


No.	DESCRIPTION	MATERIAL DESCRIPTION
1	BODY	CAST LOW LEAD BRASS ALLOY
2	CAP	CAST BRASS ASTM B62 ALLOY C83600
3	STEM	LOW LEAD BRASS ALLOY
4	BALL	LOW LEAD BRASS ALLOY
5	GASKET	ASTM D2000 (NITRILE)
6	SOLID PIN	AISI 303 STAINLESS STEEL
7	O-RING	ASTM D2000 (EP)
8	END PIECE	CAST LOW LEAD BRASS ALLOY
9	O-RING	ASTM D2000 (EP)
10	CTS GASKET SUB	ASTM D2000(SBR)&410 STAINLESS STEEL
11	CONN NUT	CAST BRASS ASTM B62 ALLOY C83600

SIZE	ØA	B	C	D	E
3/4"R	.63	3.21	.75	2.12	2.87
3/4"	.75	3.34	.84	2.32	3.16
1"R	.75	3.77	.84	2.32	3.16
1"	1.00	4.51	1.15	2.57	3.72
1x3/4	1.00	3.54	.84	2.32	3.16
1-1/2"	1.50	4.69	1.50	3.36	4.86
2"	2.00	5.24	1.82	3.91	5.73



NOTE: ALL WETTED PARTS ARE LOW LEAD BRASS ALLOYS

FILEPATH: PROD-ENG\MUELLER\ASYSUBMITTALS\B25170N

				DRF TR J Garvin	12/19/08	Mueller Co.		UNLESS OTHERWISE NOTED SURFACE PREPARATION: BREAK CORNER(S) ---- .000 SURFACE FINISH --XXX RMS TOLERANCE(S): LINEAR ----- ± .000 ANGULAR ----- ± 0°00'		THIRD ANGLE PROJECTION 	
				CHKR							
				ENGR							
				MGR							
				BY	DATE			REF. No.	SCALE		
				STK No:					FULL		
				MAT'L:							
				DESCR.	INLINE BALL METER VALVE LOW LEAD BRASS (110 CTS x FIP)				PART NUMBER		
				PER EST NO: X-XXXX EST FIN WT = 0.0000 lbs				B25170N			

PART NUMBER
B25170N
 442-MRKTG