

PARTS LIST				
ITEM	DESCRIPTION	REQ'D	MATERIAL	A.S.T.M.
1	OPERATING NUT	1	BRONZE	B-584 C83600
2	WIPER RING	1	RUBBER	D-2000 EPDM
3	HOLD DOWN NUT O-RING	1	RUBBER	D-2000 EPDM
4	HOLD DOWN NUT	1	BRONZE	B-584 C83600
5	BONNET O-RING	1	RUBBER	D-2000 EPDM
6	ANTI-FRICTION WASHER	1	CELCON	GRADE M90-04
7	OIL FILLER PLUG	1	BRASS	B-16 ALLOY 360
8	BONNET	1	CAST IRON	A-126 CLASS B
9	HEX BOLT	8	STEEL	J429 GRADE 2
10	TOP UPPER BARREL O-RING	1	RUBBER	D-2000 EPDM
11	UPPER STEM	1	CARBON STEEL	A-576 GR 1144T
12	STEM O-RING	1	RUBBER	D-2000 EPDM
13	NOZZLE LOCK	3	STAINLESS STEEL	A-276 305 OR 410
14	PUMPER NOZZLE	1	BRONZE	B-584 C89833
15	PUMPER NOZZLE CAP GASKET	1	RUBBER	D-2000 NEOPRENE
16	PUMPER NOZZLE O-RING	1	RUBBER	D-2000 EPDM
17	PUMPER NOZZLE CAP	1	CAST IRON	A-126 CLASS B
18	HOSE NOZZLE	2	BRONZE	B-584 C89833
19	HOSE NOZZLE CAP GASKET	2	RUBBER	D-2000 NEOPRENE
20	HOSE NOZZLE O-RING	2	RUBBER	D-2000 EPDM
21	HOSE NOZZLE CAP	2	CAST IRON	A-126 CLASS B

ITEM	DESCRIPTION	REQ'D	MATERIAL	A.S.T.M.
22	CAP CHAIN	3	STEEL	ELECTRO GALV.
23	CHAIN HOOK	1	STEEL	ELECTRO GALV.
24	UPPER BARREL	1	CAST IRON	A-126 CLASS B
25	STEM COUPLING	1	STAINLESS STEEL	A-890 1.5% SILICON MAX.
26	FLANGE BOLT	8	STEEL	J429 GRADE 2
27	BOTTOM UPPER BARREL O-RING	1	RUBBER	D-2000 EPDM
28	FLANGE	1	CAST IRON	A-126 CLASS B
29	COTTER PIN	2	STAINLESS STEEL	A-276 302
30	CLEVIS PIN	2	STAINLESS STEEL	A-276 305
31	LOWER STEM	1	CARBON STEEL	A-576 GRADE 1144T
32	LOWER BARREL	1	CAST IRON	A-126 CLASS B
33	STEM PIN	1	STAINLESS STEEL	A-276 302
34	DRAIN VALVE FACING	2	H.D. POLYETHYLENE	LS 5660-00
35	DRAIN VALVE FACING SCREW	4	STAINLESS STEEL	A-276 302
36	UPPER VALVE PLATE	1	BRONZE	B-584 C89833
37	BOTTOM SEAT O-RING	1	RUBBER	D-2000 EPDM
38	DRAIN RING	1	BRONZE	B-584 C83600
39	SEAT RING	1	BRONZE	B-584 C89833
40	DRAIN RING HOUSING	1	CAST IRON	A-126 CLASS B
41	MAIN VALVE	1	RUBBER	D-2000 EPDM
42	LOWER VALVE PLATE	1	CAST IRON	A-126 CLASS B
43	LOCK WASHER	1	STAINLESS STEEL	A-276 302

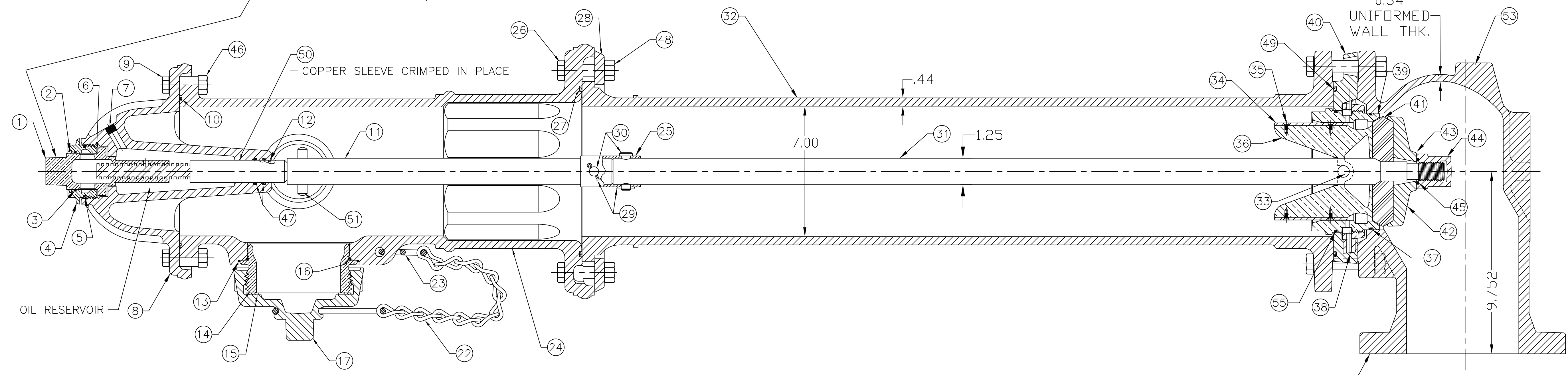
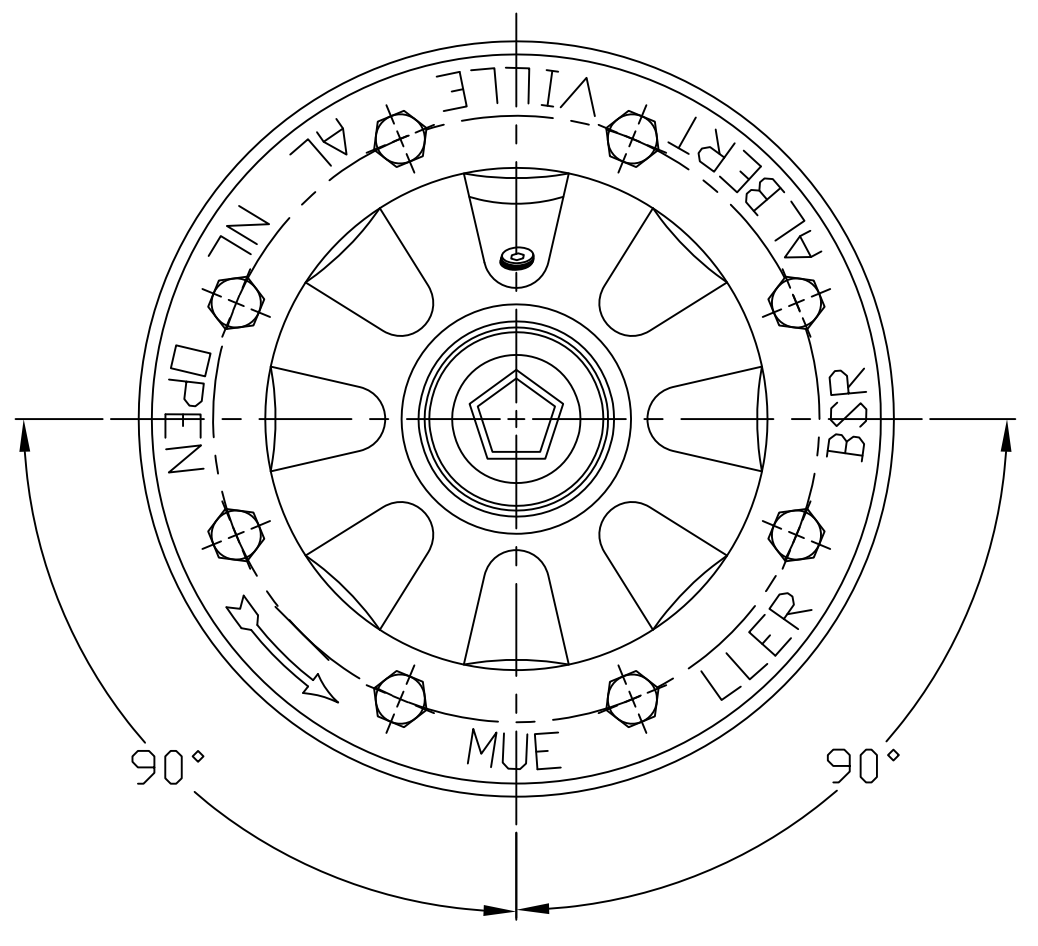
ITEM	DESCRIPTION	REQ'D	MATERIAL	A.S.T.M.
44	VALVE NUT	1	CAST IRON	A-126 CLASS B
45	VALVE NUT SEAL	1	RUBBER	A-563 NITRILE
46	HEX NUT	8	STEEL	A563 GRADE B
47	STEM O-RING	2	RUBBER	D-2000 EPDM
48	FLANGE NUT	8	STEEL	A563 GRADE B
49	DRAIN RING HOUSING O-RING	1	RUBBER	D-2000 EPDM
50	SLEEVE	1	COPPER	B-75 ALLOY 122
51	UPPER STEM PIN	1	STAINLESS STEEL	A-276 302
52	HEX BOLT	6	STEEL	J429 GRADE 2
53	SHOE	1	CAST IRON	A-126 CLASS B
* 54	PIPE GLAND	1	CAST IRON	A-126 CLASS B
* 55	TOP SEAT O-RING	1	RUBBER	D-2000 EPDM
* 56	HEX NUT	6	STEEL	A563 GRADE B
* 57	MECH. JOINT GASKET	1	RUBBER	D-2000 NATURAL
* 58	T-HEAD BOLT	6	STEEL	A-242 TYPE 1
* 59	HEX NUT	6	STEEL	A-242 TYPE 1

SEE CAT. RECORD FOR RESPECTIVE PARTS OR SUB. ASS'YS
 NOTE: SIZE AND STYLE OF OPERATING NUT, SHOE SIZE, AND
 THREADING OF NOZZLES IS PER CUSTOMER SPECS.

* NOT SHOWN

BURY 1' 2-1/2" MIN
 LONGER AT 6" INTERVALS

OPEN LEFT
 APPROXIMATELY 17 1/4 TURNS TO OPEN
 OP. NUT DIMENSIONS PER CUSTOMER SPECS.
 STANDARD 1-1/2 PENT.



NOZZLE INFORMATION
 1-4" PUMPER NOZZLE
 2-2-1/2" HOSE NOZZLES

INCH INITIAL RELEASE DRFT'R ANC 3-26-15 CHK'R APP E.O. NUMBER	TOLERANCES - MACHINING UNLESS OTHERWISE NOTED BREAK EDGES MACH. .006/.016 FINISH SURFACES 125 FRACTIONS ±1/64 DECIMALS 2 PL ±.025 3 PL ±.010 ANGLES ±1°	THIRD ANGLE PROJECTION PURCH. FINISH REF. NO. SCALE N.T.S. STK. NO.
MAT'L SEE TABLE DESCR. 4 1/2" A421 & 5 1/4" A423 SUPER CENTURION "250" W/ TWO HOSE NOZZLES & ONE PUMPER NOZZLE 1997 STYLE		REVISION NUMBER A CE-FH-84 SHEET 1 OF 1

CE-FH-84
 4 1/2" A421 & 5 1/4" A423 SUPER CENTURION "250" W/ TWO HOSE NOZZLES & ONE PUMPER NOZZLE - 250 P.S.I. W.P. - 500 P.S.I. TEST, 1997 STYLE.

REV.	DESCRIPTION	REF.	DRFT'R	CHK'R	APP.	DATE
A	REVISE MATERIAL ON ITEMS 3, 5, 10, 12, 16, 20, 28, 37, 41, 47, 49, 55		ANC			12-2-15