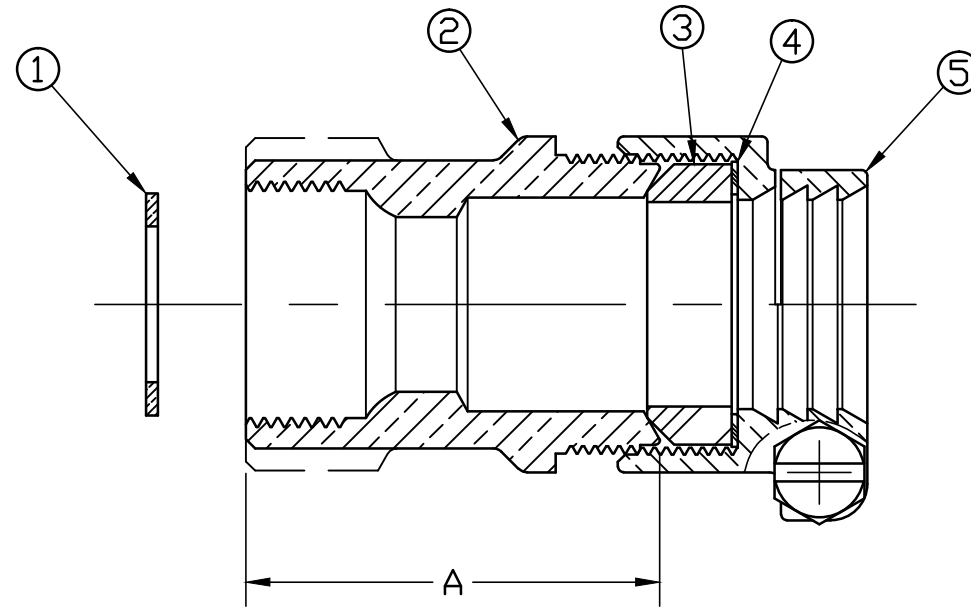


No.	DESCRIPTION	MATERIAL
1	COPPER GASKET	SHEET COPPER ASTM B152 C11000
2	SPUD	CAST LOW LEAD BRASS ALLOY
3	COMP GASKET	BUNA N ASTM D2000
4	WASHER	POLYPROPYLENE
5	CLPG NUT SUB	CAST BRASS ASTM B62 ALLOY C83600



SIZE	A
3/4"	2.156
1"	2.109

ALL WETTED PARTS ARE LOW LEAD BRASS ALLOY

FILEPATH: PROD-ENG\MUELLER\ASTSUBMITTALS\E15072N

						DRFTR	RWB	3/7/16	Mueller Co.	UNLESS OTHERWISE NOTED THIRD ANGLE PROJECTION SURFACE PREPARATION: BREAK CORNER(S) ---- .000 SURFACE FINISH -- XX RMS TOLERANCE(S): LINEAR ----- ± .000 ANGULAR ----- ± 0°00'	REF. No.	SCALE NONE
						CHKR						
						ENGR						
						MGR						
								BY	DATE			
								STK No:				
								MAT'L:				
								DESCR.	LLB CORP STOP COUPLING (IS CS x PEP/PVC IPS PJ)			
											DWG NUMBER E15072N	
REV	ECR	DESCRIPTION	DATE	BY	CHKR	PER EST NO: DXXXX EST FIN WT = 0.0000 lbs						

TITLE TO AND OWNERSHIP OF THIS ENGINEERING DATA REMAINS IN Mueller Co. NO USE IS TO BE MADE OF THIS DATA EXCEPT AS SPECIFICALLY AUTHORIZED BY Mueller Co. ASSENT ON THE PART OF THE RECIPIENT TO THESE CONDITIONS IS PRESUMED

DWG NUMBER
E15072N
442-MRKTG