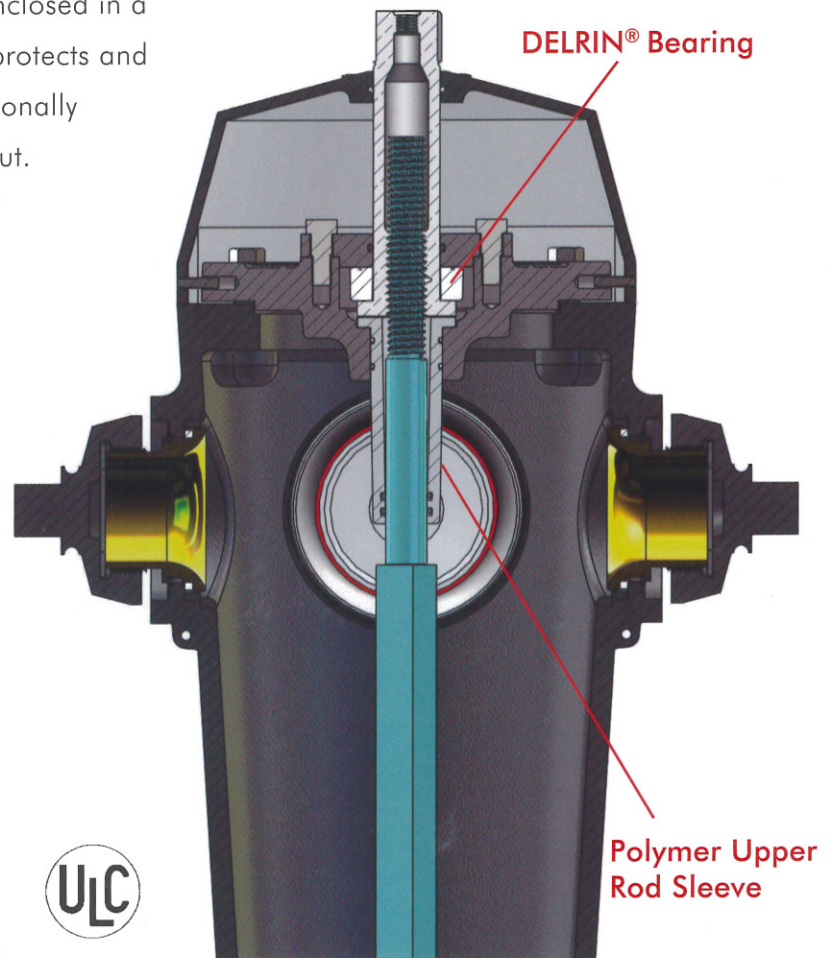


# The “E/M” (Easy Maintenance) Hydrant Operating System

The Canada Valve Century, B-50-B18, B-50-B24, and Monitor hydrants all feature Mueller’s “E/M” Operating System. Designed to minimize the amount of maintenance required to keep the hydrant operating optimally, the “E/M” system utilizes less lubricant and contains fewer moving parts. This results in a hydrant that will provide years of trouble-free service under all kinds of conditions and extreme climates. The Delrin® bearing provides a slick, corrosion-proof bearing surface for the operating nut, allowing the hydrant to be operated with ease. The operating threads and O-rings of the upper rod are enclosed in a corrosion-proof polymer cone that protects and lubricates machined surfaces, additionally reducing friction for the operating nut. The “E/M” Operating System is interchangeable with any Canada Valve hydrant currently in service.



[www.muellercanada.com](http://www.muellercanada.com)

Barrie, Ontario  
 Saint-Jérôme, Québec  
 Calgary, Alberta

**Mueller Canada**