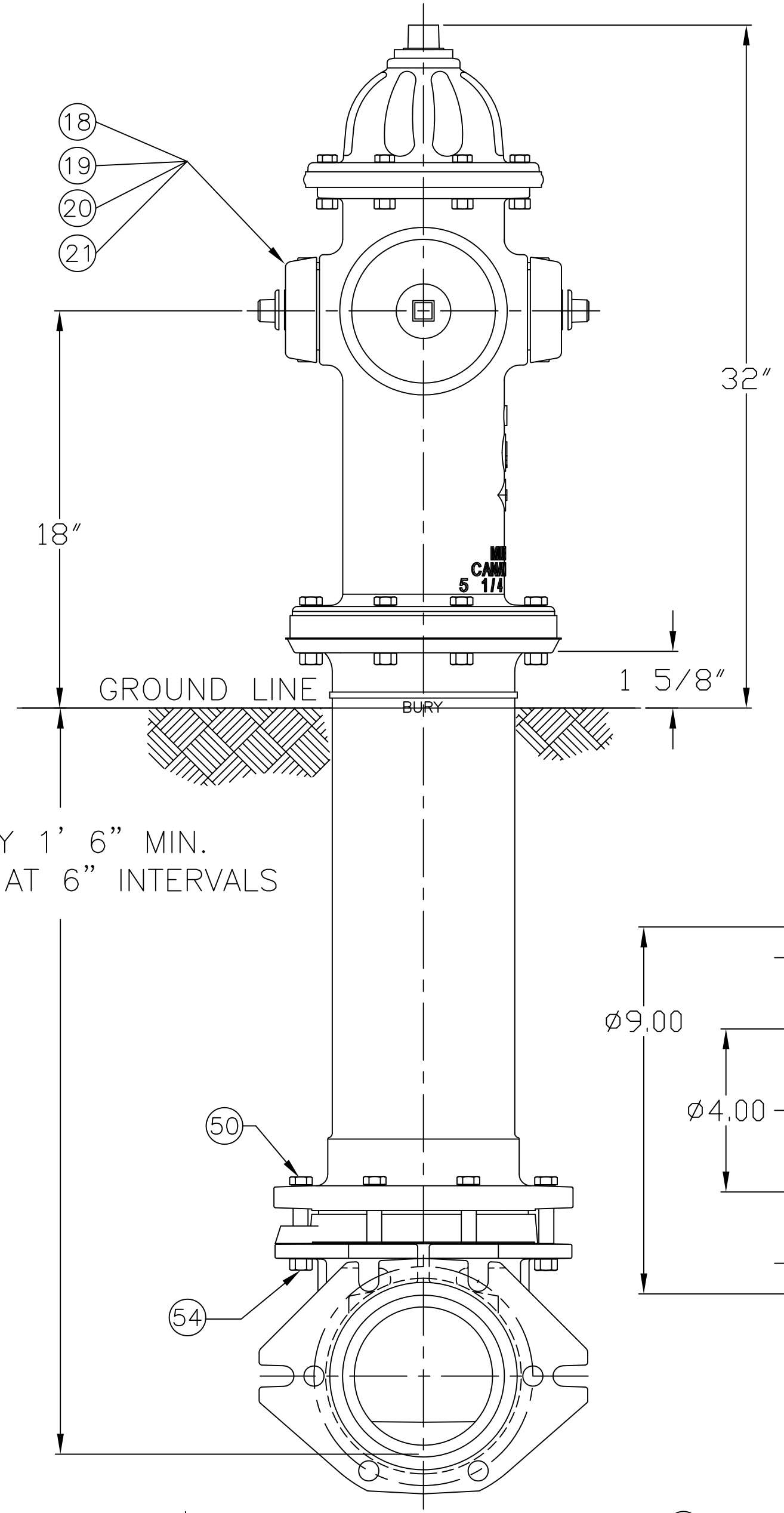


5 1/4" MONITOR HYDRANT W/ TWO HOSE NOZZLES & ONE PUMPER NOZZLE - 250 P.S.I. W.P. - 500 P.S.I. TEST, 1997 STYLE.

DWG. FH-121

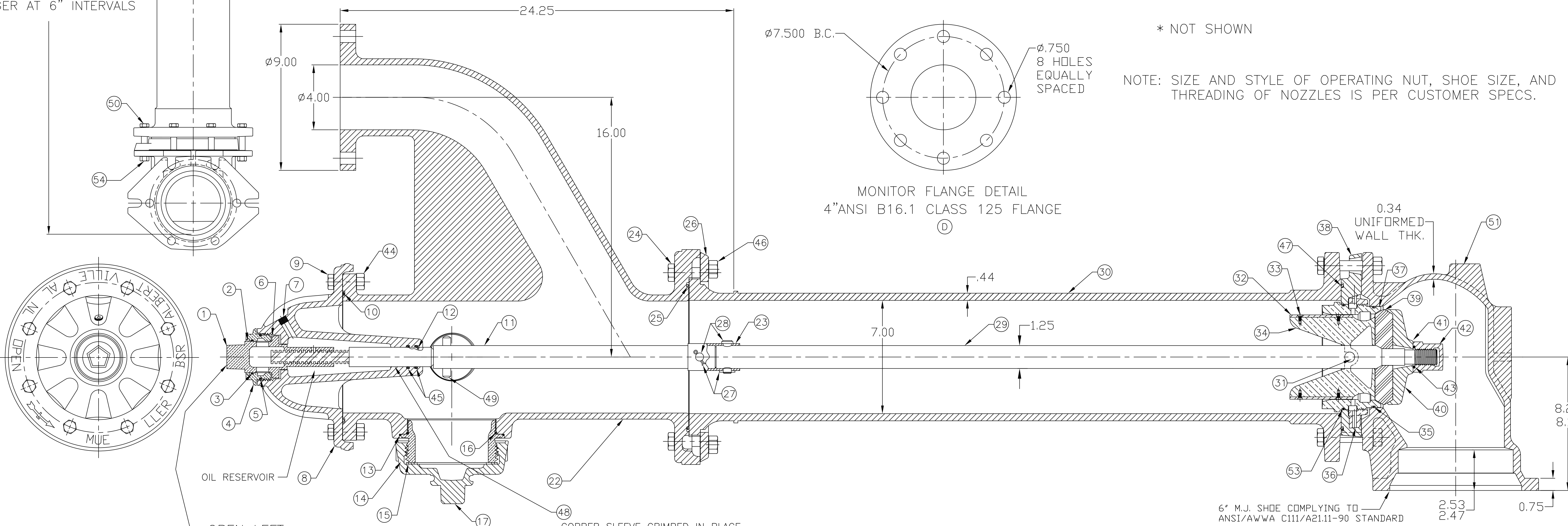


PARTS LIST				
ITEM	DESCRIPTION	REQ'D	MATERIAL	A.S.T.M.
1	OPERATING NUT	1	BRONZE	B-584 C83600
2	WIPER RING	1	RUBBER	D-2000 EPDM
3	HOLD DOWN NUT O-RING	1	RUBBER	D-2000 BUNA N
4	HOLD DOWN NUT	1	BRONZE	B-584 C83600
5	BONNET O-RING	1	RUBBER	D-2000 BUNA N
6	ANTI-FRICTION WASHER	1	CELCON	GRADE M90-04
7	OIL FILLER PLUG	1	BRASS	B-16 ALLOY 360
8	BONNET	1	CAST IRON	A-126 CLASS B
9	HEX BOLT	8	STEEL	J429 GRADE 2
10	TOP UPPER BARREL O-RING	1	RUBBER	D-2000 BUNA N
11	UPPER STEM	1	CARBON STEEL	A-576 GR 1144T
12	STEM O-RING	1	RUBBER	D-2000 BUNA N
13	NOZZLE LOCK	3	STAINLESS STEEL	A-276 305 OR 410
14	PUMPER NOZZLE	1	BISMUTH BRASS	B-584 ALLOY C89833
15	PUMPER NOZZLE CAP GASKET	1	RUBBER	D-2000 NEOPRENE
16	PUMPER NOZZLE O-RING	1	RUBBER	D-2000 BUNA N
17	PUMPER NOZZLE CAP	1	CAST IRON	A-126 CLASS B
18	HOSE NOZZLE	2	BISMUTH BRASS	B-584 ALLOY C89833
19	HOSE NOZZLE CAP GASKET	2	RUBBER	D-2000 NEOPRENE
20	HOSE NOZZLE O-RING	2	RUBBER	D-2000 BUNA N
21	HOSE NOZZLE CAP	2	CAST IRON	A-126 CLASS B

ITEM	DESCRIPTION	REQ'D	MATERIAL	A.S.T.M.
22	UPPER BARREL	1	DUCTILE IRON	A536 65-45-12
23	SAFETY STEM COUPLING	1	STAINLESS STEEL	A-890 1.5% SILICON MAX.
24	SAFETY FLANGE BOLT	8	STEEL	J429 GRADE 2
25	BOTTOM UPPER BARREL O-RING	1	RUBBER	D-2000 BUNA N
26	SAFETY FLANGE	1	CAST IRON	A-126 CLASS B
27	COTTER PIN	2	STAINLESS STEEL	A-276 302
28	CLEVIS PIN	2	STAINLESS STEEL	A-276 305
29	LOWER STEM	1	CARBON STEEL	A-576 GR 1144T
30	LOWER BARREL	1	CAST IRON	A-126 CLASS B
31	STEM PIN	1	STAINLESS STEEL	A-276 302
32	DRAIN VALVE FACING	2	H.D. POLYETHYLENE	LS 5660-00
33	DRAIN VALVE FACING SCREW	4	STAINLESS STEEL	A-276 302
34	UPPER VALVE PLATE	1	BISMUTH BRASS	B-584 ALLOY C89833
35	BOTTOM SEAT O-RING	1	RUBBER	D-2000 BUNA N
36	DRAIN RING	1	BRONZE	B-584 C83600
37	SEAT RING	1	BISMUTH BRASS	B-584 ALLOY C89833
38	DRAIN RING HOUSING	1	CAST IRON	A-126 CLASS B
39	MAIN VALVE	1	RUBBER	D-2000 NATURAL
40	LOWER VALVE PLATE	1	CAST IRON	A-126 CLASS B
41	LOCK WASHER	1	STAINLESS STEEL	A-276 302
42	VALVE NUT	1	CAST IRON	A-126 CLASS B
43	VALVE NUT SEAL	1	RUBBER	NITRILE

ITEM	DESCRIPTION	REQ'D	MATERIAL	A.S.T.M.
44	HEX NUT	8	STEEL	A563 GRADE B
45	STEM O-RING	2	RUBBER	D-2000 BUNA N
46	SAFETY FLANGE NUT	8	STEEL	A563 GRADE B
47	DRAIN RING HOUSING O-RING	1	RUBBER	D-2000 BUNA N
48	SLEEVE	1	COPPER	B-75 ALLOY 122
49	UPPER STEM PIN	1	STAINLESS STEEL	A-276 302
50	HEX BOLT	6	STEEL	J429 GRADE 2
51	SHOE	1	DUCTILE IRON	A536 65-45-12
* 52	PIPE GLAND	1	CAST IRON	A-126 CLASS B
53	TOP SEAT O-RING	1	RUBBER	D-2000 BUNA N
54	HEX NUT	6	STEEL	A563 GRADE B
* 55	MECH. JOINT GASKET	1	RUBBER	D-2000 NATURAL
* 56	T-HEAD BOLT	6	STEEL	A-242 TYPE 1
* 57	HEX NUT	6	STEEL	A-242 TYPE 1

BURY 1' 6" MIN. LONGER AT 6" INTERVALS



\* NOT SHOWN

NOTE: SIZE AND STYLE OF OPERATING NUT, SHOE SIZE, AND THREADING OF NOZZLES IS PER CUSTOMER SPECS.

OPEN LEFT APPROXIMATELY 17 1/4 TURNS TO OPEN OP. NUT DIMENSIONS PER CUSTOMER SPECS. STANDARD 1-1/2 PENT.

- COPPER SLEEVE CRIMPED IN PLACE

REV.	DESCRIPTION	REF.	DRFTR	CHKR	APP	DATE
G	REVISE MATERIAL # 22		ANC			09-25-15
F	REVISE MATERIAL # 1,4,10,36		ANC			6-18-15
E	ADD DIMENSION FROM MONITOR FLG TO BURY LINE		ANC			10-17-14
D	ADD DIMENSIONS & DETAIL FOR MONITOR FLG		ANC			2-20-14
C	REVISE MATERIAL # 14,18,34 & 37		ANC			10-31-13
B	REVISE ITEMS # 11 & 29		ANC			1-17-12
A	REVISE ITEMS # 11 & 29		ANC			11-20-09

<small>APR</small> <small>INCH</small> <small>INITIAL RELEASE</small> <small>DRFTR SMC 12-17-03</small> <small>CHK'R</small> <small>APP JMG 12-17-03</small> <small>E.O. NUMBER</small>	<small>TOLERANCES - MACHINING</small> <small>UNLESS OTHERWISE NOTED</small> <small>BREAK EDGES</small> <small>MACH. .006/.016</small> <small>FINISH SURFACES</small> <small>125</small> <small>FRACTIONS</small> <small>±1/64</small> <small>DECIMALS</small> <small>2 PL ±.025</small> <small>3 PL ±.010</small> <small>ANGLES</small> <small>±1°</small>	<small>THIRD ANGLE PROJECTION</small> <small>PURCH.</small> <small>FINISH</small> <small>REF. NO.</small> <small>SCALE</small> <small>N.T.S.</small> <small>STK. NO.</small>
<small>MAT'L</small> <small>DESCR.</small> <small>5 1/4" MONITOR HYDRANT</small> <small>W/ TWO HOSE NOZZLES</small> <small>&amp; ONE PUMPER NOZZLE 1997 STYLE</small>		<small>REVISION</small> <small>G</small> <small>NUMBER</small> <small>FH-121</small> <small>SHEET 1 OF 1</small>