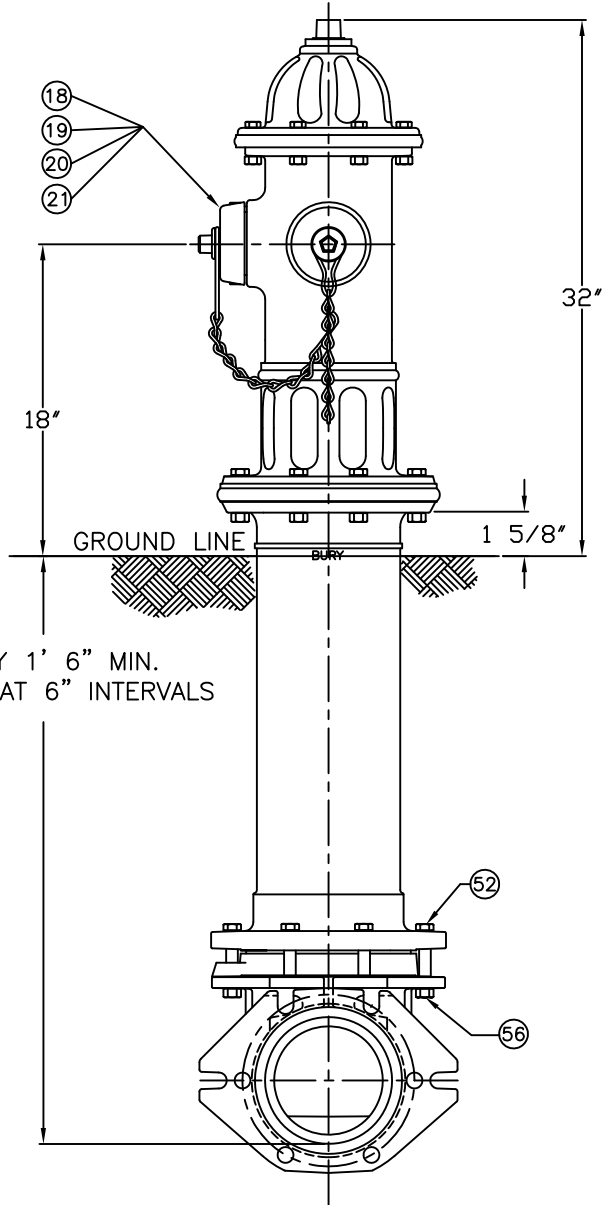


4 1/2" A420 & 5 1/4" A422 SUPER CENTURION "200" W/ TWO HOSE NOZZLES 1997 STYLE

DWG. FH 166



BURY 1' 6" MIN.
LONGER AT 6" INTERVALS

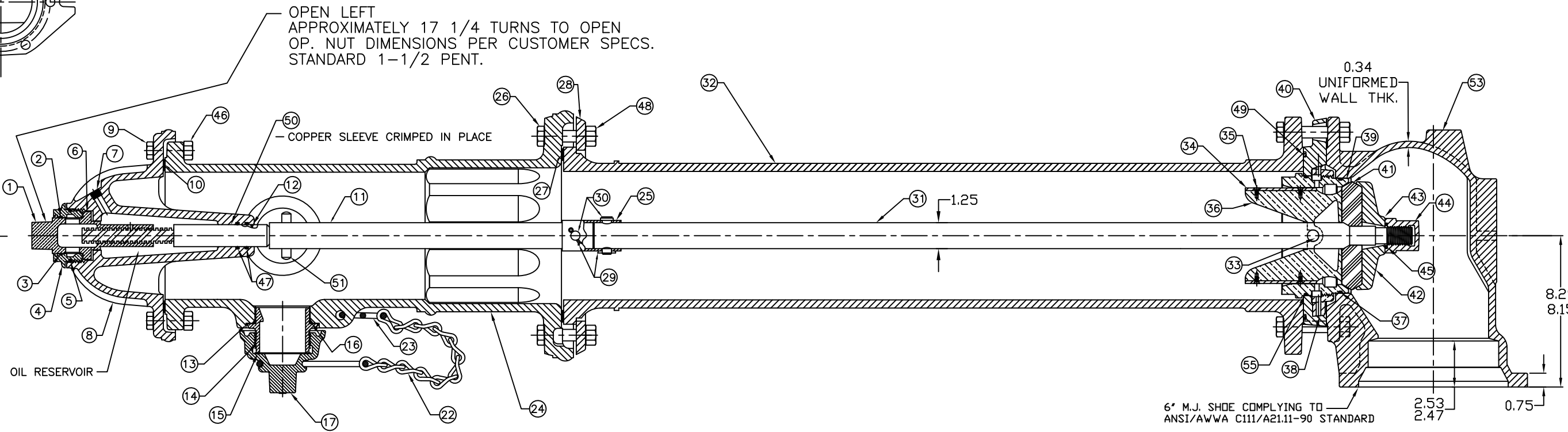
PARTS LIST					ITEM	DESCRIPTION	REQ'D	MATERIAL	A.S.T.M.	
1	OPERATING NUT	1	BRONZE	B-584	ALLOY C83600	22	CAP CHAIN	3	STEEL	ELECTRO GALV.
2	WIPER RING	1	RUBBER	D-2000	EPDM	23	CHAIN HOOK	1	STEEL	ELECTRO GALV.
3	HOLD DOWN NUT O-RING	1	RUBBER	D-2000	BUNA N	24	UPPER BARREL	1	CAST IRON	A-126 CLASS B
4	HOLD DOWN NUT	1	BRONZE	B-584	ALLOY C83600	25	SAFETY STEM COUPLING	1	STAINLESS STEEL	A-890 1.5% SILICON MAX.
5	BONNET O-RING	1	RUBBER	D-2000	BUNA N	26	SAFETY FLANGE BOLT	8	STEEL	A-307 ELECTROGALV. GR. B
6	ANTI-FRICTION WASHER	1	CELCON		GRADE M90-04	27	SAFETY FLANGE GASKET	1		
7	OIL FILLER PLUG	1	BRASS	B-16	ALLOY 360	28	SAFETY FLANGE	1	CAST IRON	A-126 CLASS B
8	BONNET	1	CAST IRON	A-126	CLASS B	29	COTTER PIN	2	STAINLESS STEEL	A-276 302
9	HEX BOLT	8	STEEL	A-307	ELECTROGALV. GR. B	30	CLEVIS PIN	2	STAINLESS STEEL	A-276 305
10	BONNET GASKET	1	CELLULOSE			31	LOWER STEM	1	CARBON STEEL	A-576 GR 1144T
11	UPPER STEM	1	CARBON STEEL	A-576	GR 1144T	32	LOWER BARREL	1	CAST IRON	A-126 CLASS B
12	STEM O-RING	1	RUBBER	D-2000	BUNA N	33	STEM PIN	1	STAINLESS STEEL	A-276 302
13	NOZZLE LOCK	3	STAINLESS STEEL	A-276	305 OR 410	34	DRAIN VALVE FACING	2	H.D. POLYETHYLENE	LS 5660-00
14	HOSE NOZZLE	1	BRONZE	B-584	ALLOY C89833	35	DRAIN VALVE FACING SCREW	4	STAINLESS STEEL	A-276 302
15	HOSE NOZZLE CAP GASKET	1	RUBBER	D-2000	NEOPRENE	36	UPPER VALVE PLATE	1	BRONZE	B-584 ALLOY C89833
16	HOSE NOZZLE O-RING	1	RUBBER	D-2000	BUNA N	37	BOTTOM SEAT O-RING	1	RUBBER	D-2000 BUNA N
17	HOSE NOZZLE CAP	1	CAST IRON	A-126	CLASS B	38	DRAIN RING	1	BRONZE	B-584 ALLOY C83600
18	HOSE NOZZLE	2	BRONZE	B-584	ALLOY C89833	39	SEAT RING	1	BRONZE	B-584 ALLOY C89833
19	HOSE NOZZLE CAP GASKET	2	RUBBER	D-2000	NEOPRENE	40	DRAIN RING HOUSING	1	CAST IRON	A-126 CLASS B
20	HOSE NOZZLE O-RING	2	RUBBER	D-2000	BUNA N	41	MAIN VALVE	1	RUBBER	D-2000 NATURAL
21	HOSE NOZZLE CAP	2	CAST IRON	A-126	CLASS B	42	LOWER VALVE PLATE	1	CAST IRON	A-126 CLASS B
						43	LOCK WASHER	1	STAINLESS STEEL	A-276 302

SEE CAT. RECORD FOR RESPECTIVE PARTS OR SUB. ASS'YS

NOTE: SIZE AND STYLE OF OPERATING NUT, SHOE SIZE, AND THREADING OF NOZZLES IS PER CUSTOMER SPECS.

ITEM	DESCRIPTION	REQ'D	MATERIAL	A.S.T.M.
44	VALVE NUT	1	CAST IRON	A-126 CLASS B
45	VALVE NUT SEAL	1	RUBBER	NITRILE
46	HEX NUT	8	STEEL	ELECTRO. GALV.
47	STEM O-RING	2	RUBBER	D-2000 BUNA N
48	SAFETY FLANGE NUT	8	STEEL	ELECTRO. GALV.
49	DRAIN RING HOUSING O-RING	1	RUBBER	D-2000 BUNA N
50	SLEEVE	1	COPPER	B-75 ALLOY 122
51	UPPER STEM PIN	1	STAINLESS STEEL	A-276 302
52	HEX BOLT	6	STEEL	A-307 ELECTROGALV. GR. B
53	SHOE	1	DUCTILE IRON	A536 65-45-12
* 54	PIPE GLAND	1	CAST IRON	A-126 CLASS B
55	TOP SEAT O-RING	1	RUBBER	D-2000 BUNA N
56	HEX NUT	6	STEEL	A-307 ELECTROGALV. GR. B
* 57	MECH. JOINT GASKET	1	RUBBER	D-2000 NATURAL
* 58	T-HEAD BOLT	6	STEEL	A-242 TYPE 1
* 59	HEX NUT	6	STEEL	A-242 TYPE 1

* NOT SHOWN



REV.	DESCRIPTION	REF.	DATE
C	REVISE ITEMS 1, 4, 14, 18, 36, 38, & 39	JMG	11-8-13
B	REVISE ITEMS #11 & 31	MGR	3-13-12
A	REVISE ITEMS # 11 & 31	ANC	12-1-09

(MILLIMETER) INCH INITIAL RELEASE DWG'N ANC 6-11-07 CHK'N CJD 6-11-07 APP E.O. NUMBER	TOLERANCES - MACHINING UNLESS OTHERWISE NOTED BREAK EDGES MACH. .006/.016 FINISH SURFACES 125 FRACTIONS ±1/64 DECIMALS 2 PL. ±.025 3 PL. ±.008 ANGLES ±1°	THIRD ANGLE PROJECTION PURCH. FINISH REF. NO. N.T.S. STK. NO.
MAT'L SEE TABLE DESCR. 4 1/2" A420 & 5 1/4" A422 SUPER CENTURION "200" W/ TWO HOSE NOZZLES 1997 STYLE		NUMBER FH 166 SHEET 1 OF 1