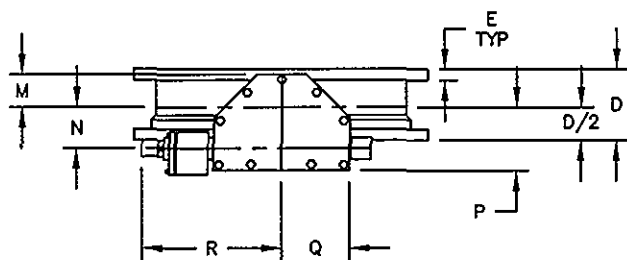


ACTUATOR SIZE	J	L	M	N	P	Q	R	NUMBER OF TURNS
MDT-3S	5-5/8	2-7/16	3-1/4	3-5/32	5-5/8	5-3/8	10-3/8	30
MDT-4S	6-3/8	2-27/32	3-3/8	4	7-5/16	6-3/4	11-5/16	40
MDT-5	7-9/16	3-15/32	4-1/2	5-1/2	8-3/4	10	17	44
MDT-5S	8-5/16	3-15/16	5-1/2	7	10-1/2	15-15/16	19-7/8	136
MDT-6S	10-3/16	5-1/16	7	8-1/4	12-5/8	14-3/16	26-1/2	215

VALVE SIZE	25 & 75 PSI		150 PSI			D	E	F	G
	A	B	A	B	C				
24	--	--	18-5/8	18-3/8	32	8	1-7/8	20-1-1/4	29-1/2
30	21-9/16	22-3/4	21-1/2	24-1/8	38-3/4	12	2-1/8	28-1-1/4	36
36	25-1/16	26-1/2	25-7/16	28	46	12	2-3/8	32-1-1/2	42-3/4
42	29-1/16	30-3/8	29-7/8	32-11/16	53	12	2-5/8	36-1-1/2	49-1/2
48	32-5/16	34-5/8	34-1/16	36-7/8	59-1/2	15	2-3/4	44-1-1/2	56
54	36-1/8	38-1/2	37-1/2	40-11/16	66-1/4	15	3	44-1-3/4	62-3/4
60	39-5/8	42-1/16	41-3/4	45-3/16	73	15	3-1/8	52-1-3/4	69-1/4
66	43-9/16	46-3/4	46-1/16	49-1/2	80	18	3-3/8	52-1-3/4	76
72	46-15/16	55-5/8	50	53-1/8	86-1/2	18	3-1/2	60-1-3/4	82-1/2



ACTUATOR POSITION J

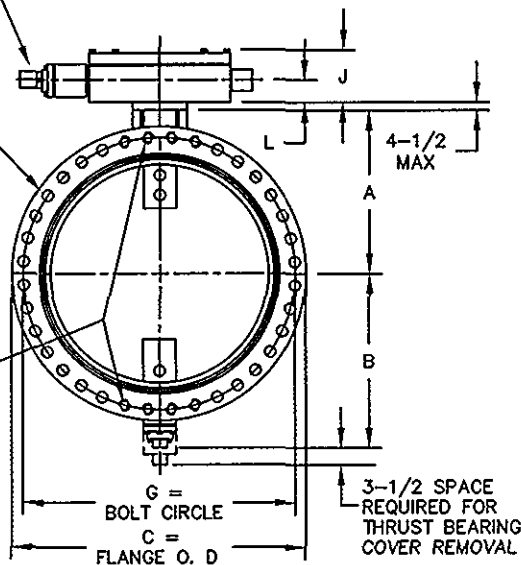
NOTES:

1. ALL DIMENSIONS SHOWN IN INCHES.
2. "D" DIMENSION  $\pm 1/8$ ".
3. FOR BOLTS SMALLER THAN  $\phi 1-3/4$ , BOLT HOLES WILL BE  $1/8$ " LARGER THAN DIAMETER OF BOLT. FOR BOLTS  $\phi 1-3/4$  OR LARGER, BOLT HOLES WILL BE  $1/4$ " LARGER THAN DIAMETER OF BOLT.
4. DIMENSIONS AND DRILLING OF END FLANGES CONFORM TO THE AMERICAN CAST IRON FLANGE STANDARDS, CLASS 125 (B16.1).
5. VALVES MANUFACTURED & TESTED IN ACCORDANCE WITH AWWA SPECIFICATION C-504 LATEST REVISION, CLASS 150B.
6. RECOMMENDATION FOR MATING FLANGES: WHERE INSULATING BUSHINGS ARE USED, IT IS NECESSARY THAT BOLT HOLES BE DRILLED OVERSIZE BY AN AMOUNT EQUAL TO TWO TIMES THE INSULATING SLEEVE THICKNESS TO MAINTAIN THE SAME MINIMUM CLEARANCE FOR BOLTS.
7. CAUTION: IT IS RECOMMENDED THAT VALVES BE INSTALLED INTO PIPING SYSTEM IN ACCORDANCE WITH AWWA M-11 TO PREVENT ANY UNDUE PIPING STRESS, DEFLECTION OR BENDING THAT MAY AFFECT THE PERFORMANCE OF THE VALVE.

BURIED SERVICE NUT

F = NO. & SIZE OF BOLTS  
125# STANDARD LAYOUT  
STRADDLE CENTERLINE  
INCLUDES TAPPED HOLES  
EACH FLANGE

TAPPED HOLES UNC2B X E DEEP VALVE SIZE	NO. TAPPED HOLES (EACH FLANGE)
30"-72"	4-TOP; 4-BOTTOM
24"	2-TOP; 2-BOTTOM



REV	DATE	BY	DESCRIPTION	APP.
<b>Mueller Co.</b>				
LINESEAL III BUTTERFLY VALVE FLANGED MDT BURIED SERVICE NUT				
SCALE NONE		DATE 9-7-05		
DRAWN BY CEG		CHECKED BY <i>ES</i>		
APPROVED		GA=BORDER		
DRWG NO GA-11304MS		REV 0		1/2