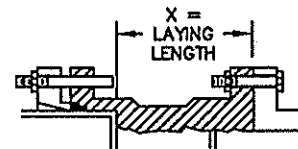
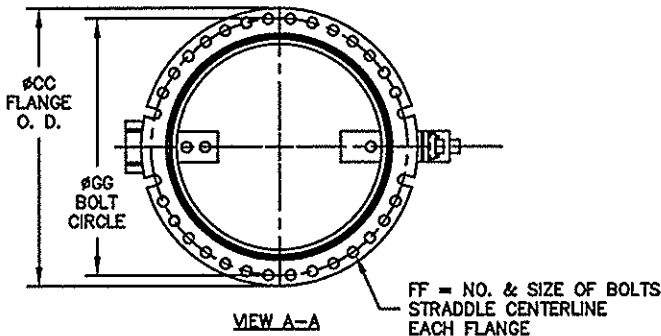
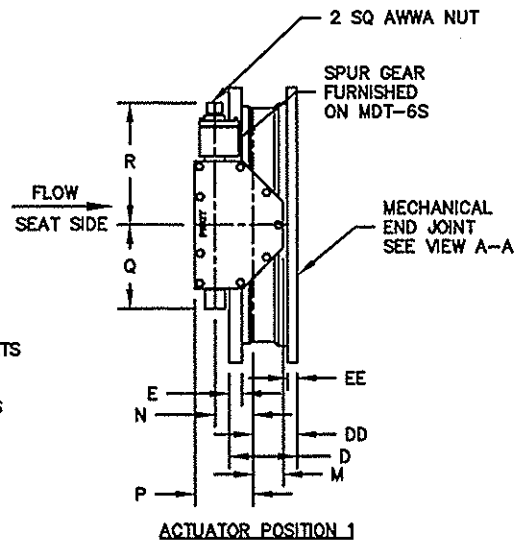
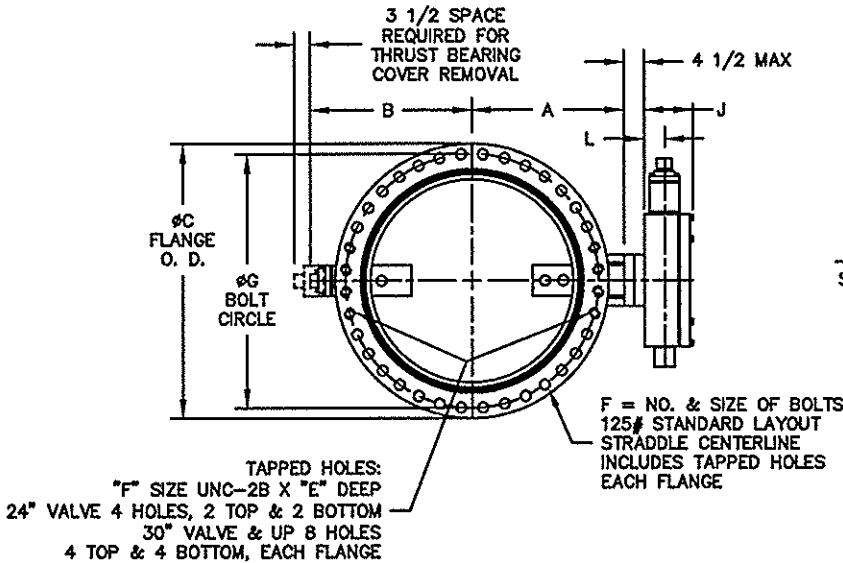


ACTUATOR SIZE	J	L	M	N	P	Q	R	NUMBER OF TURNS
MDT-4S	6-3/8	2-27/32	3-3/8	4	7-5/16	6-3/4	11-5/16	40
MDT-5	7-9/16	3-15/32	4-1/2	5-1/2	8-3/4	10	17	44
MDT-5S	8-5/16	3-15/16	5-1/2	7	10-1/2	15-15/16	19-7/8	136
MDT-6S	10-3/16	5-1/16	7	8-1/4	12-5/8	14-3/16	26-1/2	215

VALVE SIZE	A	B	C	CC	D	DD	E	EE	F	FF	G	GG	X
24	18-5/8	18-5/8	32	31-9/16	10-5/8	6-5/8	1-7/8	1-5/8	20/1-1/4	16/3/4	29-1/2	30	7-1/8
30	21-1/2	24-3/8	38-3/4	39	15	9	2-1/8	1-13/16	28/1-1/4	20/1	36	36-7/8	11
36	25-7/16	28-1/4	46	45-7/8	17	11	2-3/8	2	32/1-1/2	24/1	42-3/4	43-3/4	13



INSTALLATION DIAGRAM
BOLTS, NUTS, GLANDS
AND GASKETS FURNISHED
BY OTHERS

NOTES:

- ALL DIMENSIONS SHOWN IN INCHES.
- "D" DIMENSION $\pm 1/16"$ FOR 6" THRU 10" VALVES.
"D" DIMENSION $\pm 1/8"$ FOR 12" THRU 20" VALVES.
- FOR BOLTS SMALLER THAN $\phi 1-3/4$, BOLT HOLES WILL BE $1/8"$ LARGER THAN DIAMETER OF BOLT.
FOR BOLTS $\phi 1-3/4$ OR LARGER, BOLT HOLES WILL BE $1/4"$ LARGER THAN DIAMETER OF BOLT.
- DIMENSIONS AND DRILLING OF END FLANGE CONFORM TO THE AMERICAN CAST IRON FLANGE STANDARDS, CLASS 125 (B16.1).
- DIMENSIONS AND DRILLING OF MECHANICAL JOINT END CONFORM TO ANSI/ AWWA C111/ A21.11.
- VALVES MANUFACTURED & TESTED IN ACCORDANCE WITH AWWA SPECIFICATION C-504 LATEST REVISION, CLASS 150B.
- RECOMMENDATION FOR MATING FLANGES: WHERE INSULATING BUSHINGS ARE USED, IT IS NECESSARY THAT BOLT HOLES BE DRILLED OVERSIZE BY AN AMOUNT EQUAL TO TWO TIMES THE INSULATING SLEEVE THICKNESS TO MAINTAIN THE SAME MINIMUM CLEARANCE FOR BOLTS.

REV	DATE	BY	DESCRIPTION	APP
Mueller Co.				
24"-36" LINESEAL III FLANGE X MECHANICAL JOINT ENDS MDT BURIED SERVICE NUT				
SCALE NONE		DATE 5-18-05		
DRAWN BY ES		CHECKED BY RCB		
APPROVED		GA-BORDER		
DRWG. NO. GA-11426MS				REV 0