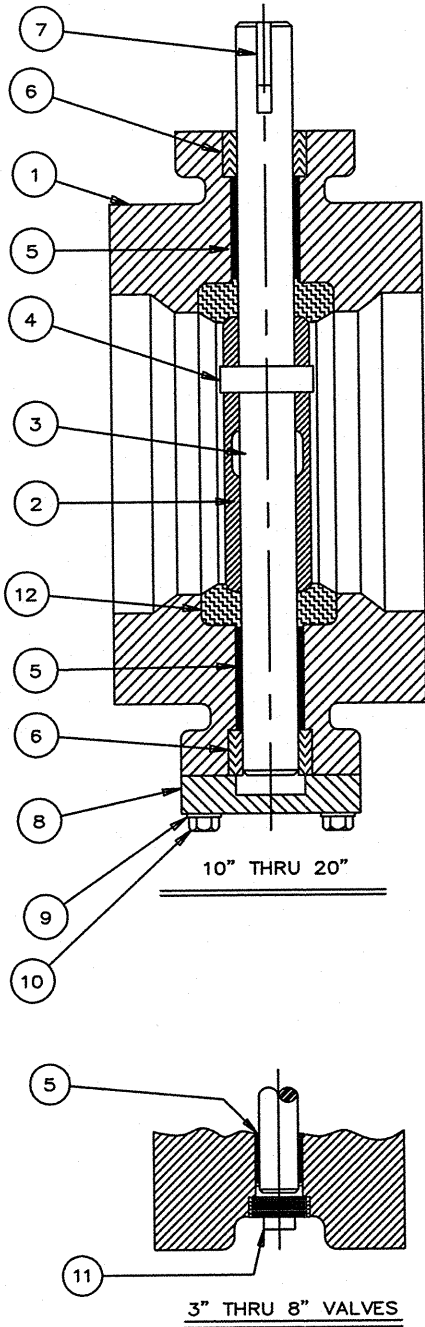


MATERIAL OPTIONS AS CHECKED



ITEM NO.	DESCRIPTION	MATERIALS	<input checked="" type="checkbox"/>
1	BODY	DUCTILE IRON ASTM A-536 65-45-12	
2	DISC	DUCTILE IRON ASTM A-536 65-45-12 (6"-20" VALVES) WITH STAINLESS STEEL EDGE TYPE 316 CAST STAINLESS STEEL ASTM A-351 (3" AND 4" VALVES) GRADE CF8M	
3	SHAFT	STAINLESS STEEL ASTM A-564 TYPE 630 COND. H-1150	
4	SQUEEZE PIN	STAINLESS STEEL ASTM A-564 TYPE 630 COND. H-1150	
5	BEARING	TEFLON W/ STAINLESS STEEL BACKING (6"-20" VALVES) NYLATRON GS (3" AND 4" VALVES)	
6	PACKING	SAME AS ITEM 12	
7	KEY	AISI 1045 CARBON STEEL	
8	COVER	CAST IRON	
9	LOCKWASHER	STAINLESS STEEL TYPE 304	
10	CAP SCREW	STAINLESS STEEL TYPE 304	
11	PLUG	CAST IRON PIPE PLUG (3" THRU 8" VALVES)	
12	SEAT	RUBBER BUNA-N (STD)	
		RUBBER (EPDM)	

1-30-06	CEM	UPDATED TITLE BLOCK	
REV	DATE	BY	DESCRIPTION
Mueller Co.			
CROSS SECTION PARTS AND MATERIALS LIST 3"-20" LINESEAL XP250II			
BONDED SEAT BUTTERFLY VALVES			
SCALE	NONE	DATE	1-17-06
DRAWN BY	ES	CHECKED BY	RCB
APPROVED	GA-BORDER		
DRWG. NO.	GA-11487MS	REV	1