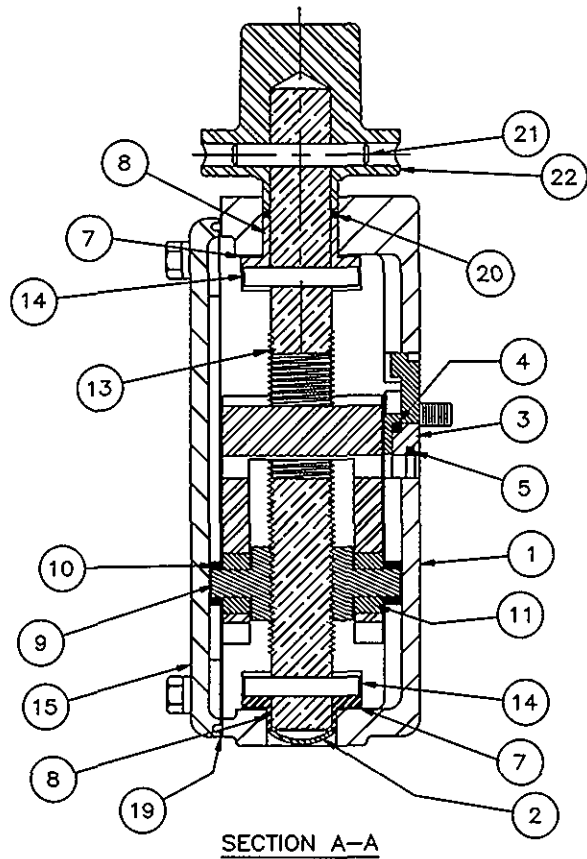
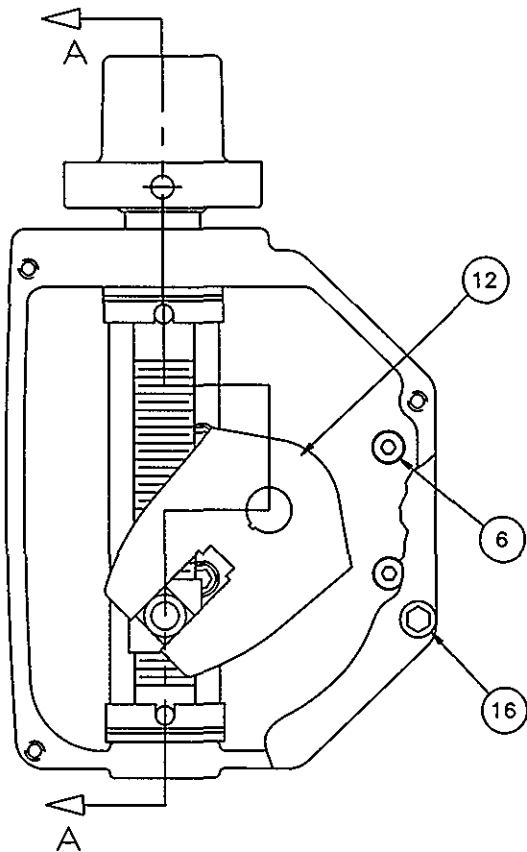


ITEM	DESCRIPTION	MATERIAL
1	HOUSING	CAST IRON ASTM A-126 CLASS B
2	EXPANSION PLUG	STAINLESS STEEL TYPE 304
3	INSERT	NORYL GRADE GFN3-780
4	O-RING	RUBBER BUNA-N
5	O-RING	RUBBER BUNA-N
6	CAPSCREW	ALLOY STEEL
7	SHIM	HARDENED STEEL
8	BEARING	SINTERED IRON
9	SLIDER NUT	DUCTILE IRON ASTM A-536 GRADE 80-55-06
10	SLIDER TUBE	CARBON STEEL
11	SLIDER BLOCK	SINTERED IRON ASTM B-439 GRADE 3

ITEM	DESCRIPTION	MATERIAL
12	LEVER	DUCTILE IRON ASTM A-536 GRADE 65-45-12
13	SHAFT	CARBON STEEL AISI 12L14 COLD DRAWN
14	GROOVE PIN	ALLOY STEEL
15	COVER	CAST IRON ASTM A-126 CLASS B
16	CAP SCREW	STAINLESS STEEL TYPE 304
19	GASKET	BLENDED FIBER, CURED NITRILE BINDER
20	O-RING	RUBBER BUNA-N
21	SPRING PIN	STAINLESS STEEL TYPE 420
22	NUT	CAST IRON ASTM A-126 CLASS B



SECTION A-A

REV	DATE	BY	DESCRIPTION	APP
<b>Mueller Co.</b>				
CROSS SECTION PARTS AND MATERIAL LIST MDT-2S BURIED SERVICE ACTUATOR				
SCALE NONE		DATE 10-28-05		
DRAWN BY ES		CHECKED BY <i>RCB</i>		
APPROVED		GA=BORDER		
DRWG. NO	GA-11493MS	REV	0	YC