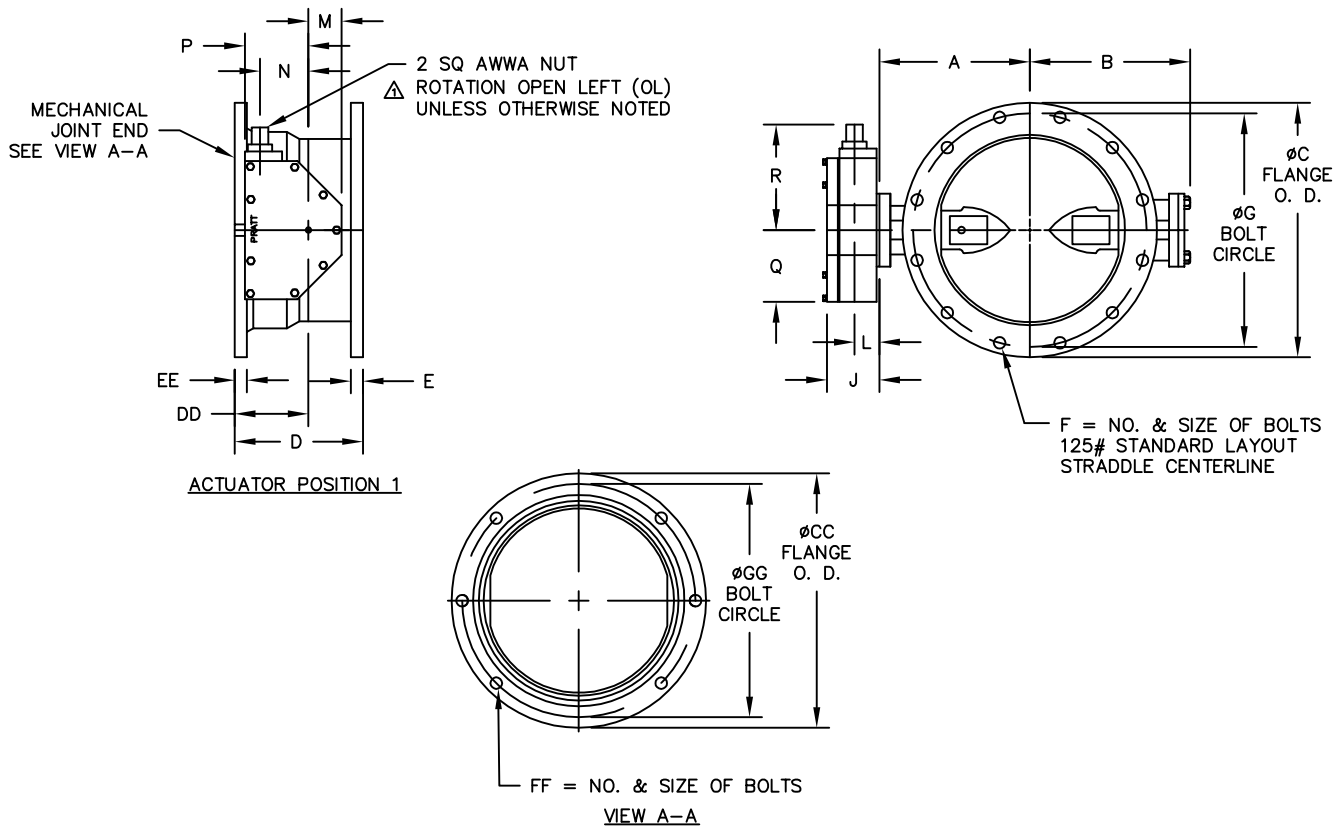


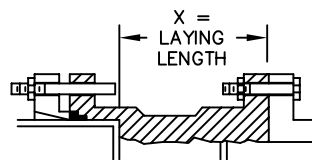
VALVE SIZE	A	B	C	CC	D	DD	E	EE	F	FF	G	GG	X
6	6-1/2	5-1/8	11	11	6-3/4	4-1/4	1-1/16	1-1/16	8--3/4	6--3/4	9-1/2	9-1/2	4-1/4
8	7-3/4	6-1/2	13-1/2	13-1/4	7-5/16	4-5/16	1-1/8	1-1/8	8--3/4	6--3/4	11-3/4	11-3/4	4-13/16
10	9	9-7/8	16	15-9/16	8-5/8	4-5/8	1-1/4	1-3/16	12--7/8	8--3/4	14-1/4	14	6-1/8
12	10-1/2	11-3/8	19	17-15/16	8-5/8	4-5/8	1-1/4	1-1/4	12--7/8	8--3/4	17	16-1/4	6-1/8
△ 14	11-7/8	12-3/4	21	20-5/16	9-3/4	5-3/4	1-3/8	1-5/16	12--1	10--3/4	18-3/4	18-3/4	6-1/4
△ 16	13-1/2	14-3/8	23-1/2	22-9/16	10	6	1-7/16	1-3/8	16--1	12--3/4	21-1/4	21	6-1/2
△ 18	14-3/8	15-1/4	25	24-11/16	10-1/8	6-1/8	1-9/16	1-7/16	16--1-1/8	12--3/4	22-3/4	23-1/4	6-5/8
△ 20	16	16-7/8	27-1/2	27-3/32	10-1/4	6-1/4	1-11/16	1-1/2	20--1-1/8	14--3/4	25	25-1/2	6-3/4

ACTUATOR SIZE	J	L	M	N	P	Q	R	NUMBER OF TURNS
MDT-2S	4-11/16	2	2-1/8	2	4-1/2	4-1/2	8-1/4	32
MDT-3S	5-5/8	2-7/16	3-1/4	3-5/32	5-5/8	5-3/8	10-3/8	30
MDT-4S	6-3/8	2-27/32	3-3/8	4	7-5/16	6-3/4	11-5/16	40
△ MDT-5	7-9/16	3-15/32	4-1/2	5-1/2	8-3/4	10	17	44



NOTES:

1. ALL DIMENSIONS SHOWN IN INCHES.
2. "D" DIMENSION $\pm 1/16$ " FOR 6" THRU 10" VALVES.
"D" DIMENSION $\pm 1/8$ " FOR 12" THRU 20" VALVES.
3. FOR BOLTS SMALLER THAN $\phi 1-3/4$, BOLT HOLES WILL BE $1/8$ " LARGER THAN DIAMETER OF BOLT.
FOR BOLTS $\phi 1-3/4$ OR LARGER, BOLT HOLES WILL BE $1/4$ " LARGER THAN DIAMETER OF BOLT.
4. DIMENSIONS AND DRILLING OF END FLANGE CONFORM TO THE AMERICAN CAST IRON FLANGE STANDARDS, CLASS 125 (B16.1).
5. DIMENSIONS AND DRILLING OF MECHANICAL JOINT END CONFORM TO ANSI/ AWWA C111/ A21.11.
6. VALVES MANUFACTURED & TESTED IN ACCORDANCE WITH AWWA SPECIFICATION C-504 LATEST REVISION, CLASS 250B.
7. RECOMMENDATION FOR MATING FLANGES: WHERE INSULATING BUSHINGS ARE USED, IT IS NECESSARY THAT BOLT HOLES BE DRILLED OVERSIZE BY AN AMOUNT EQUAL TO TWO TIMES THE INSULATING SLEEVE THICKNESS TO MAINTAIN THE SAME MINIMUM CLEARANCE FOR BOLTS.



INSTALLATION DIAGRAM
BOLTS, NUTS, GLANDS
AND GASKETS FURNISHED
BY OTHERS

REV	DATE	BY	DESCRIPTION	APP.
△ 11-28-11		CEM	CORRECTED TITLE BLOCK	
△ 1-30-09		CEM	UPDATED TITLE BLOCK	JR
△ 5/14/08		ES	ADDED 14", 18", & 20" ADDED MDT'S	CEM
△ 4-18-06		BB	ADDED ROTATION NOTE	JR

Mueller Co.

- △ 6"-20" LINESEAL XP250II BFV △
- FLANGE X MECHANICAL JOINT ENDS
- △ MDT BURIED SERVICE NUT △

SCALE NONE DATE 12-15-05
DRAWN BY RCB CHECKED BY PPS
APPROVED GA=BORDER
DRWG. NO. GA-11515MS REV 4 A/C