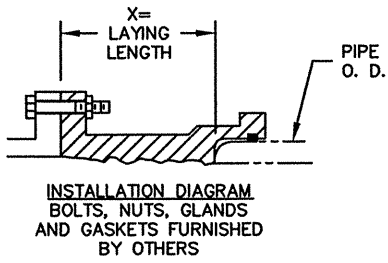
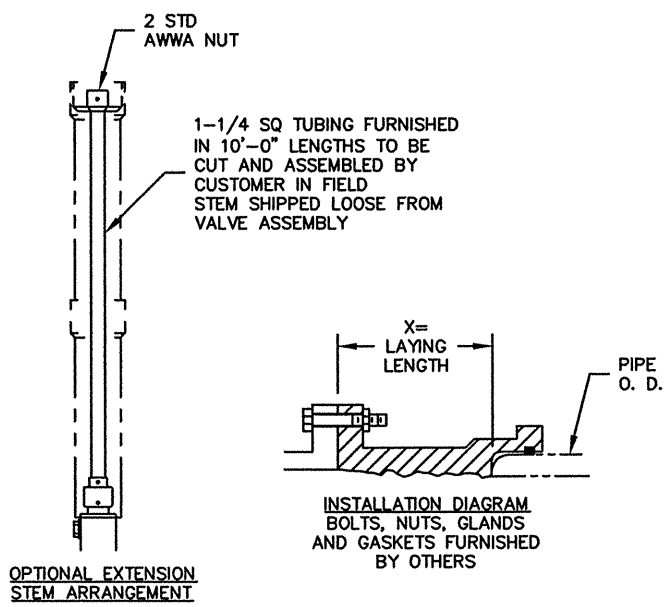


- NOTES:
1. ALL DIMENSIONS SHOWN IN INCHES.
 2. "D" DIMENSION $\pm 1/16$ " FOR 4" THRU 10" VALVES. "D" DIMENSION $\pm 1/8$ " FOR 12" THRU 16" VALVES.
 3. FOR BOLTS SMALLER THAN $\phi 1-3/4$, BOLT HOLES WILL BE $1/8$ " LARGER THAN DIAMETER OF BOLT. FOR BOLTS $\phi 1-3/4$ OR LARGER, BOLT HOLES WILL BE $1/4$ " LARGER THAN DIAMETER OF BOLT.
 4. DIMENSIONS AND DRILLING OF END FLANGE CONFORM TO THE AMERICAN CAST IRON FLANGE STANDARDS, CLASS 125 (B16.1).
 5. VALVES MANUFACTURED & TESTED IN ACCORDANCE WITH AWWA SPECIFICATION C-504 LATEST REVISION, CLASS 150B.
 6. RECOMMENDATION FOR MATING FLANGES: WHERE INSULATING BUSHINGS ARE USED, IT IS NECESSARY THAT BOLT HOLES BE DRILLED OVERSIZE BY AN AMOUNT EQUAL TO TWO TIMES THE INSULATING SLEEVE THICKNESS TO MAINTAIN THE SAME MINIMUM CLEARANCE FOR BOLTS.
 7. THE VALVE IS DESIGNED FOR IRON OR PVC PIPE WITH CAST IRON EQUIVALENT O. D.'S (NOT FOR USE WITH IPS O. D. PIPE)
 8. USE WITH 'TYTON' RUBBER RING GASKET (REG T.M. OF U. S. PIPE AND FOUNDRY CO.)
 9. EXTENSION STEM CAN BE USED WITH STANDARD VALVE BOXES OR 5" SOIL PIPE



PIPE SIZE	PIPE O. D.	MIN. MATING I. D.
4	4.80	2.61
6	6.90	4.96
8	9.05	7.22
10	11.10	9.22
12	13.20	10.97
14	15.65	12.56
16	17.80	14.59

ACTUATOR SIZE	J	L	M	N	P	Q	R	NUMBER OF TURNS
MDT-2S	4-11/16	2	2-1/8	2	4-1/2	4-1/2	8-1/4	32
MDT-3S	5-5/8	2-7/16	3-1/4	3-5/32	5-5/8	5-3/8	10-3/8	30
MDT-4S	6-3/8	2-27/32	3-3/8	4	7-5/16	6-3/4	11-5/16	40
MDT-5	7-9/16	3-15/32	4-1/2	5-1/2	8-3/4	10	17	44

VALVE SIZE	A	B	C	CC	D	DD	E	F	G	X
4	5-1/2	4-1/8	6-3/8	9	7-11/16	2-1/2	3/4	8--5/8	7-1/2	4-1/16
6	6-1/2	5-1/8	9	11	7-7/8	2-1/2	1	8--3/4	9-1/2	4-1/2
8	7-3/4	6-1/2	11-1/4	13-1/2	9	3	1-1/8	8--3/4	11-3/4	4-13/16
10	9	9-7/8	14	16	10-5/16	4	1-3/16	12--7/8	14-1/4	6-1/16
12	10-1/2	11-3/8	16-3/8	19	11-1/2	4	1-1/4	12--7/8	17	6-9/16
14	11-7/8	12-1/4	18-7/8	21	11-3/8	4	1-3/8	12--1	18-3/4	9-1/16
16	13-1/2	13-7/8	21-3/4	23-1/2	11-1/2	4	1-7/16	16--1	21-1/4	9-3/16

REV	DATE	BY	DESCRIPTION	APP
Mueller Co.				
4" - 16" LINESEAL III BFV FLANGE X PUSH-ON ENDS MDT BURIED SERVICE ACTUATOR				
SCALE	NONE	DATE	1-23-09	
DRAWN BY	CEM	CHECKED BY		
APPROVED		GA=BORDER		
DRWG. NO	GA-11865MS	REV	0	A/C