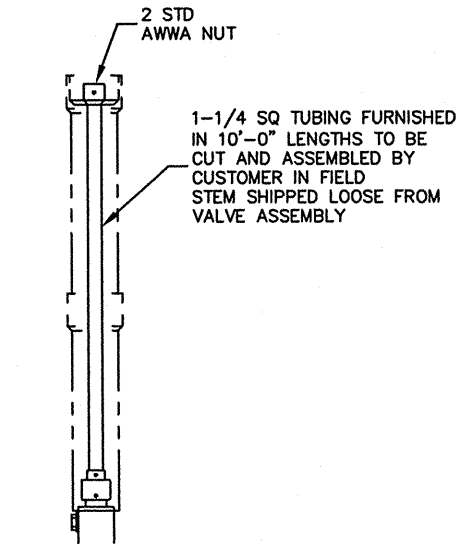


ACTUATOR POSITION 1



OPTIONAL EXTENSION STEM ARRANGEMENT

NOTES:

1. ALL DIMENSIONS SHOWN IN INCHES.
2. "D" DIMENSION $\pm 1/8$ " FOR 24" AND LARGER VALVES.
3. FOR BOLTS SMALLER THAN $\phi 1-3/4$, BOLT HOLES WILL BE $1/8$ " LARGER THAN DIAMETER OF BOLT. FOR BOLTS $\phi 1-3/4$ OR LARGER, BOLT HOLES WILL BE $1/4$ " LARGER THAN DIAMETER OF BOLT.
4. DIMENSIONS AND DRILLING OF END FLANGES CONFORM TO THE AMERICAN CAST IRON FLANGE STANDARDS, CLASS 125 (B16.1).
5. VALVES MANUFACTURED & TESTED IN ACCORDANCE WITH AWWA SPECIFICATION C-504 LATEST REVISION, CLASS 250B.
6. RECOMMENDATION FOR MATING FLANGES: WHERE INSULATING BUSHINGS ARE USED, IT IS NECESSARY THAT BOLT HOLES BE DRILLED OVERSIZE BY AN AMOUNT EQUAL TO TWO TIMES THE INSULATING SLEEVE THICKNESS TO MAINTAIN THE SAME MINIMUM CLEARANCE FOR BOLTS.
7. CAUTION: IT IS RECOMMENDED THAT VALVES BE INSTALLED INTO PIPING SYSTEM IN ACCORDANCE WITH AWWA M-11 TO PREVENT ANY UNDUE PIPING STRESS, DEFLECTION OR BENDING THAT MAY AFFECT THE PERFORMANCE OF THE VALVE.
8. EXTENSION STEM CAN BE USED WITH STANDARD VALVE BOXES OR 5" SOIL PIPE

VALVE SIZE	A	B	C	D	E	F	G
24	18-5/8	18-3/8	32	8	1-7/8	20-1-1/4	29-1/2
30	21-1/2	24-1/8	38-3/4	12	2-1/8	28-1-1/4	36
36	25-7/16	28	46	12	2-3/8	32-1-1/2	42-3/4
42	29-7/8	32-11/16	53	12	2-5/8	36-1-1/2	49-1/2
48	34-1/16	36-7/8	59-1/2	15	2-3/4	44-1-1/2	56

ACTUATOR SIZE	J	L	M	N	P	Q	R	NUMBER OF TURNS
MDT-5	7-9/16	3-15/32	4-1/2	5-1/2	8-3/4	10	17	44
MDT-5S	8-5/16	3-15/16	5-1/2	7	10-1/2	15-15/16	19-7/8	136
MDT-6S	9-7/8	5-1/16	7	8-1/4	12-5/8	14-3/16	26-1/2	215

REV	DATE	BY	DESCRIPTION	APP
Mueller Co.				
LINESEAL XP250 II ANSI 125# FLG 24" THRU 48" MDT BURIED SERVICE ACTUATOR				
SCALE	NONE	DATE	1-30-99	
DRAWN BY	CEM	CHECKED BY		
APPROVED		GA=BORDER		
DRWG. NO.	GA-11867MS	REV	o	AYC