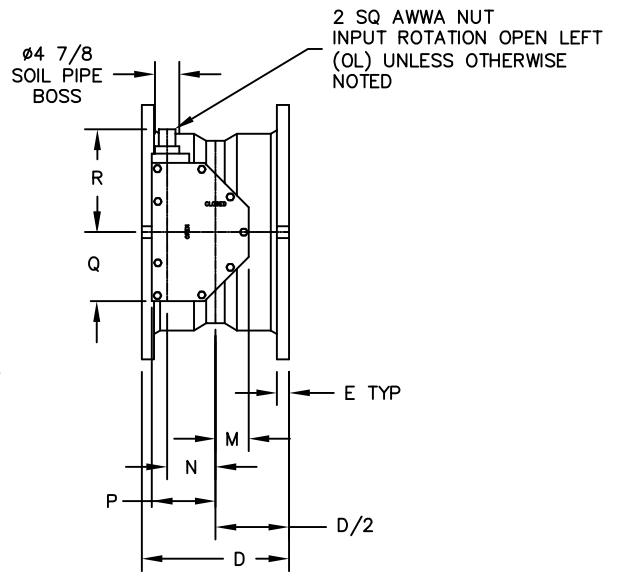
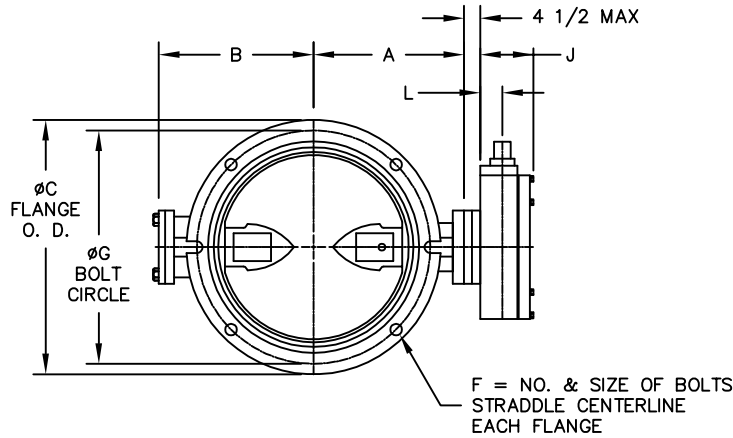


PIPE SIZE	PIPE O. D.	MIN. MATING I. D.
4	4.80	3.00
6	6.90	5.59
8	9.05	7.55
10	11.10	9.83
12	13.20	11.60
14	15.65	12.81
16	17.80	14.81
18	19.92	16.85
20	22.06	18.86

ACTUATOR SIZE	VALVE SIZE	J	L	M	N	P	Q	R	NUMBER OF TURNS
MDT-2S	3"-8"	4-11/16	2	2-1/8	2	4-1/2	4-1/4	8-1/4	32
MDT-3S	8"-14"	5-5/8	2-7/16	3-1/4	3-5/32	5-5/8	5-3/8	10-3/8	30
MDT-4S	16" & 18"	6-3/8	2-27/32	3-3/8	4	7-5/16	6-3/4	11-5/16	40
MDT-5	18" & 20"	7-9/16	3-15/32	4-1/2	5-1/2	8-3/4	10	17	44

VALVE SIZE	A	B	C	D	E	F	G	X
4	5-1/2	3-1/2	9	8-1/8	1	4--3/4	7 1/2	3-1/8
6	6-1/2	5-1/8	11	8-1/2	1	6--3/4	9 1/2	3-1/2
8	7-3/4	6-1/2	13-1/4	8-5/8	1-1/8	6--3/4	11 3/4	3-5/8
10	9	9-7/8	15-9/16	9-1/4	1-3/16	8--3/4	14	4-1/4
12	10-1/2	11-3/8	17-15/16	9-1/4	1-1/4	8--3/4	16-1/4	4 1/4
14	11-7/8	12-3/4	20-5/16	11-1/2	1-5/16	10--3/4	18 3/4	4-1/2
16	13-1/2	14-3/8	22-9/16	12	1-3/8	12--3/4	21	5
18	14-3/8	15-1/4	24-11/16	12-1/4	1-3/8	12--3/4	23-1/4	5-1/4
20	16	16-7/8	27-3/32	12-1/2	1-1/2	14--3/4	25-1/2	5-1/2

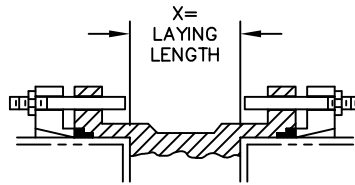


ACTUATOR POSITION 1

2 STD AWWA NUT

1-1/4 SQ TUBING FURNISHED IN 10'-0" LENGTHS TO BE CUT AND ASSEMBLED BY CUSTOMER IN FIELD STEM SHIPPED LOOSE FROM VALVE ASSEMBLY

OPTIONAL EXTENSION STEM ARRANGEMENT



INSTALLATION DIAGRAM  
BOLTS, NUTS, GLANDS AND GASKETS FURNISHED BY OTHERS

NOTES:

1. ALL DIMENSIONS SHOWN IN INCHES.
2. "D" DIMENSION  $\pm 1/16$ " FOR 4" VALVES. "D" DIMENSION  $+1/8$ "  $-0$  FOR 6" THRU 20" VALVES.
3. BOLT HOLES WILL BE  $1/8$ " LARGER THAN DIAMETER OF BOLT.
4. DIMENSIONS AND DRILLING OF MECHANICAL JOINT ENDS CONFORM TO ANSI/ AWWA C111/ A21.11.
5. VALVES MANUFACTURED & TESTED IN ACCORDANCE WITH AWWA SPECIFICATION C-504 LATEST REVISION, CLASS 250B.
6. EXTENSION STEM CAN BE USED WITH STANDARD VALVE BOXES OR 5" SOIL PIPE
7. CAUTION: WHEN USING 10" AND 12" VALVES ON CLASS 200 PVC PIPE, PIPE END I.D. MUST BE BEVELLED TO ENSURE CLEARANCE FOR DISC AND PROPER VALVE OPERATION. CONTACT YOUR SALES REPRESENTATIVE FOR DETAILED INSTRUCTIONS.

REV	DATE	BY	DESCRIPTION	APP.
△	11-28-11	CEM	CORRECTED TITLE BLOCK	

**Mueller Co.**

4" - 20" LINESEAL XP250 II  
MECHANICAL JOINT ENDS  
MDT BURIED SERVICE ACTUATOR

SCALE NONE DATE 2-2-09  
DRAWN BY CEM CHECKED BY JR  
APPROVED GA=BORDER  
DRWG. NO. GA-11872MS REV 1 A/C