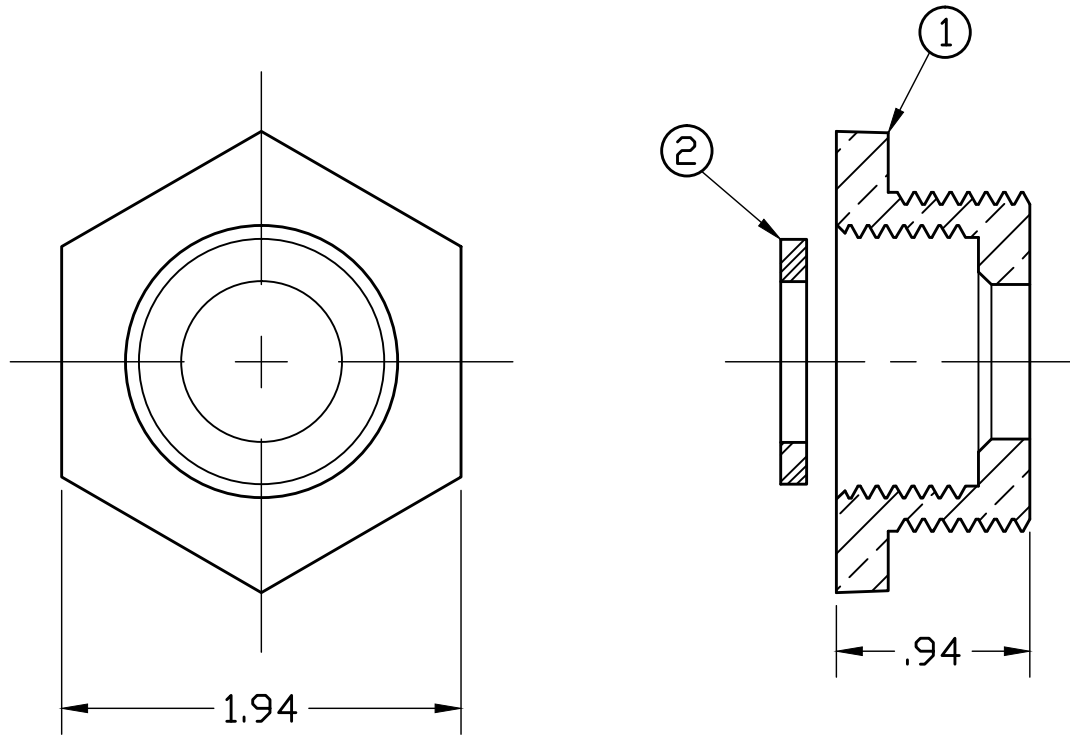


PART NUMBER
H1088900N

44²-MRKTNG



No.	DESCRIPTION	MATERIAL
1	BUSHING	CAST LOW LEAD BRASS ALLOY
2	GASKET	NITRILE ASTM D2000



NOTE: ALL WETTED PARTS ARE LOW LEAD BRASS ALLOY

FILEPATH: PRODD-ENG\MUELLER\ASYSUBMITTALS\H1088900N

WAS EXP NO:

						DRFTR	RWB	12/21/09			THIRD ANGLE PROJECTION 					
													UNLESS OTHERWISE NOTED SURFACE PREPARATION: BREAK CORNER(S) ----- .000 SURFACE FINISH -- XX RMS TOLERANCE(S): LINEAR ----- ± .000 ANGULAR ----- ± 0°00'		REF. No.	SCALE FULL
													UNLESS OTHERWISE NOTED SURFACE PREPARATION: BREAK CORNER(S) ----- .000 SURFACE FINISH -- XX RMS TOLERANCE(S): LINEAR ----- ± .000 ANGULAR ----- ± 0°00'		REF. No.	SCALE FULL
						STK No:			PART NUMBER H1088900N							
						MAT'L:										
						DESCR.			3/4"x1" METER BUSHING LOW LEAD BRASS (FOR PLAIN METER NUT)							
						PER EST NO: DXXXX EST FIN WT = 0.0000 lbs										