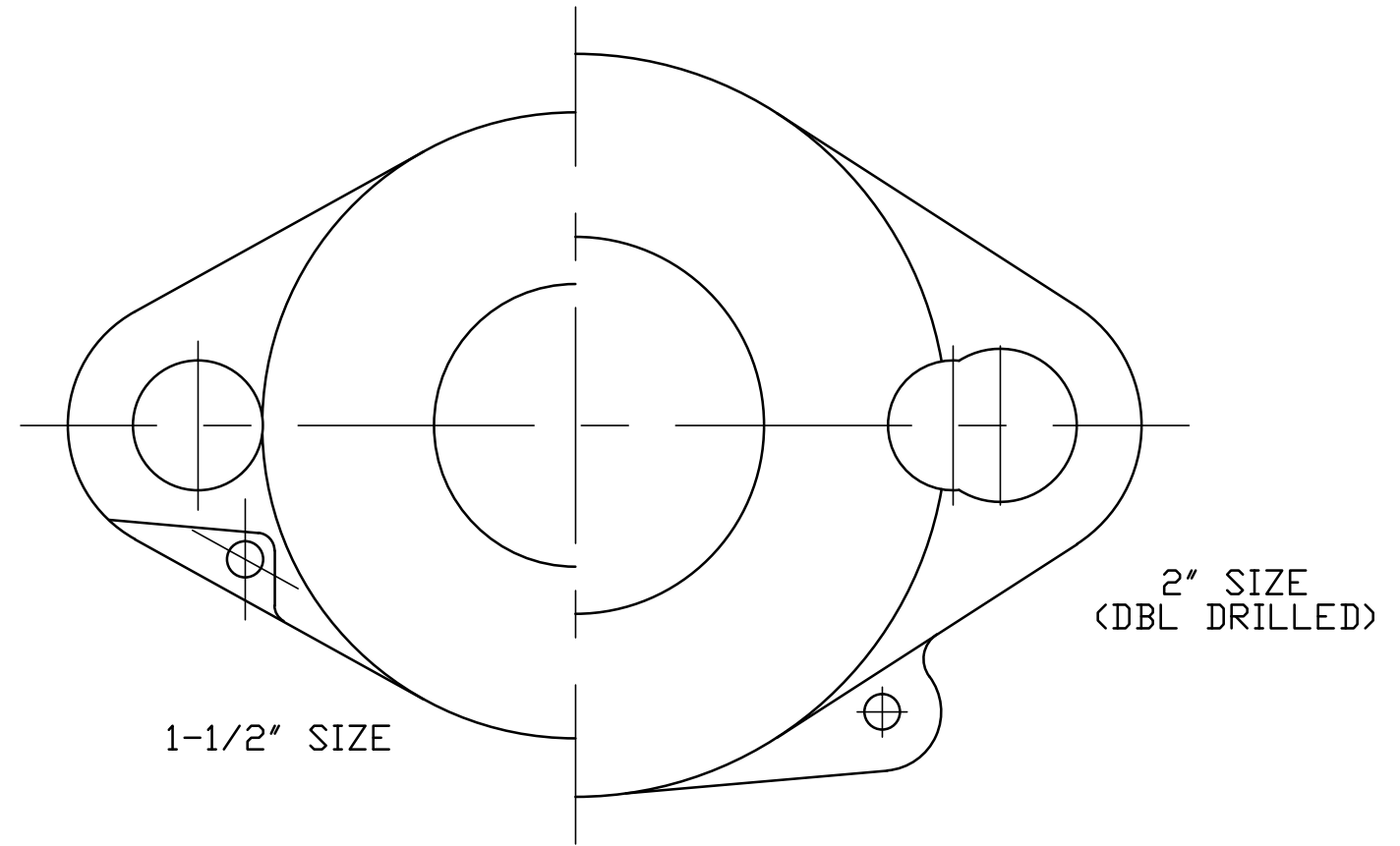
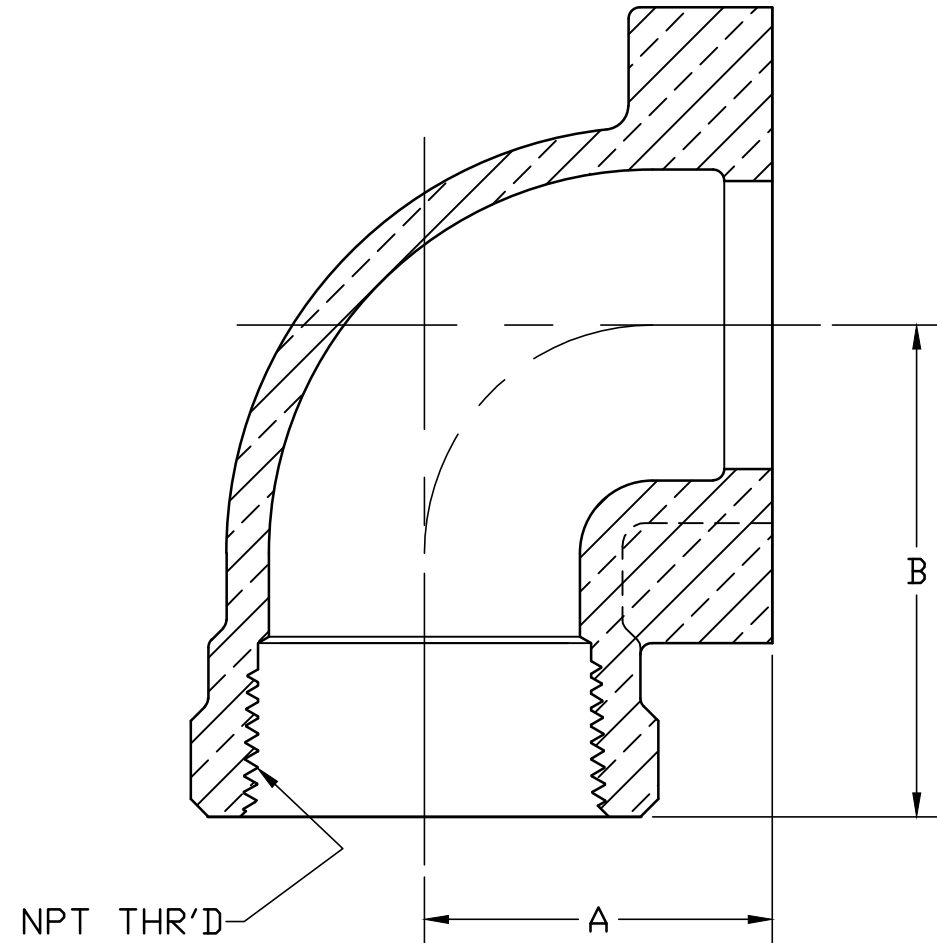


SIZE	A	B	NPT SIZE
1-1/2"	1.81	2.56	1-1/2"
2"	2.19	2.88	2"

No.	DESCRIPTION	MATERIAL
1	SPUD	CAST LOW LEAD BRASS ALLOY
2	GROOVED PIN	BRONZE ASTM B98 ALLOY 661

PIN NOT SHOWN ON ASS'Y



NOTE: ALL WETTED PARTS ARE LOW LEAD BRASS ALLOY

FILEPATH: PROD-ENG\MUELLER\ASYSUBMITTALS\H14204N

DRFTR	jGarvin	1/27/12	Mueller Co.		
CHKR					
ENGR					
MGR					
			UNLESS OTHERWISE NOTED	THIRD ANGLE PROJECTION	
			SURFACE PREPARATION:		
			BREAK CORNER(S) ---- .000		
			SURFACE FINISH -- XX RMS	REF. No.	
			TOLERANCE(S):	SCALE	
			LINEAR ----- ± .000		
			ANGULAR ----- ± 0°00'		
			STK No:		
			MAT'L:		
			DESCR.	DWG NUMBER	
			QUARTER BEND METER COUPLING	H14204N	
			LOW LEAD BRASS (FIP x METER FLANGE)		
REV	ECR	DESCRIPTION	DATE	BY	CHKR
PER EST NO: XX-XXXX EST FIN WT = 0.0000 lbs					

DWG NUMBER
H14204N
44-MRKTNG

TITLE TO AND OWNERSHIP OF THIS ENGINEERING DATA REMAINS IN Mueller Co. NO USE IS TO BE MADE OF THIS DATA EXCEPT AS SPECIFICALLY AUTHORIZED BY Mueller Co. ASSENT ON THE PART OF THE RECIPIENT TO THESE CONDITIONS IS PRESUMED