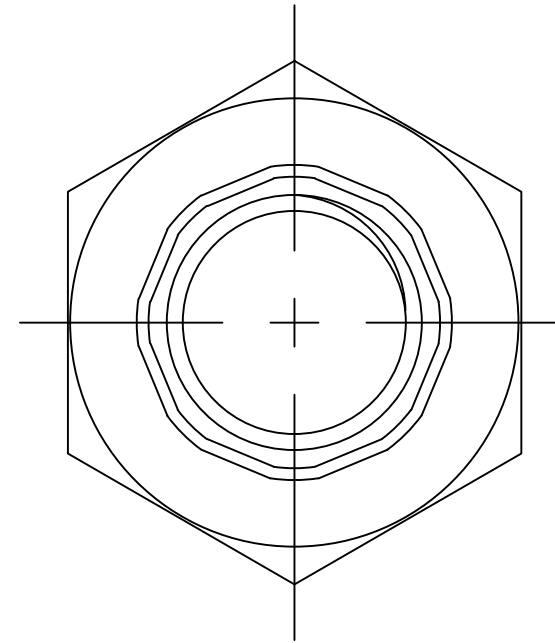
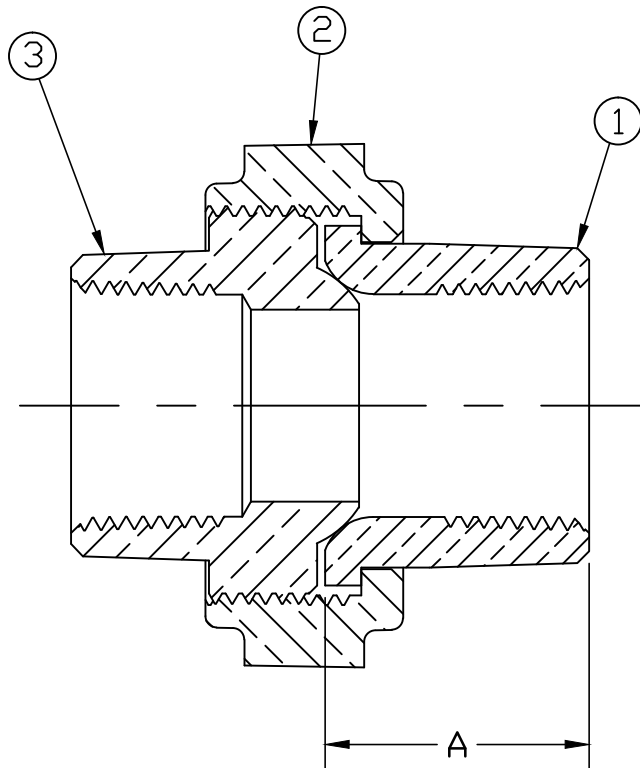


No.	DESCRIPTION	MATERIAL
1	TAILPIECE	CAST LOW LEAD BRASS ALLOY
2	COUP. NUT	CAST BRASS ASTM B62 ALLOY C83600
3	SPUD	CAST LOW LEAD BRASS ALLOY



SIZE	A	NPT
3/4"	1.00	3/4"
1"	1.38	1"

NOTE: ALL WETTED PARTS ARE LOW LEAD BRASS ALLOY

FILEPATH: PROD-ENG\MUELLER\ASYSUBMITTALS\H14211N

						DRFTR	RWB	5/29/13	Mueller Co.	THIRD ANGLE PROJECTION
						CHKR				
						ENGR				
						MGR				
									UNLESS OTHERWISE NOTED	REF. No.
									SURFACE PREPARATION:	
									BREAK CORNER(S) ---- .000	
									SURFACE FINISH -- XX RMS	
									TOLERANCE(S):	
									LINEAR ----- ± .000	
									ANGULAR ----- ± 0°00'	
									STK No:	
									MAT'L:	
									DESCR.	
									METER YOKE COUPLING - LLB	
									FIP x MULTI PURPOSE (FIP OR CS)	
									DWG NUMBER	
									H14211N	

DWG NUMBER
H14211N
442-MRKTG

TITLE TO AND OWNERSHIP OF THIS ENGINEERING DATA REMAINS IN Mueller Co. NO USE IS TO BE MADE OF THIS DATA EXCEPT AS SPECIFICALLY AUTHORIZED BY Mueller Co. ASSENT ON THE PART OF THE RECIPIENT TO THESE CONDITIONS IS PRESUMED

REV	ECR	DESCRIPTION	DATE	BY	CHKR

PER EST NO: DXXXX EST FIN WT = 0.00000 lbs