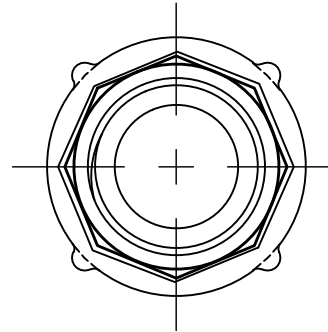
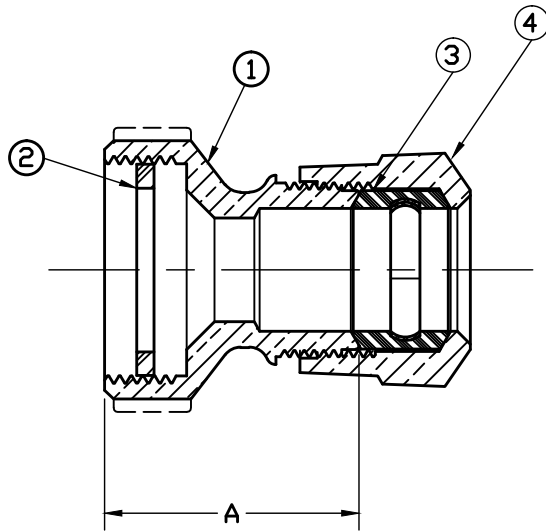


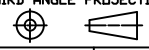
No.	DESCRIPTION	MATERIAL
1	TAILPIECE	CAST LOW LEAD BRASS ALLOY
2	GASKET	FIBER ASTM D710
3	CTS GASKET SUB	ASTM D2000(SBR)&410 STAINLESS STL
4	CONNX NUT	CAST BRASS ASTM B62 ALLOY C83600



SIZE	A
5/8" x 3/4" x 3/4"	1.84
5/8" x 3/4" x 1"	2.06
1"	2.36

NOTE: ALL WETTED PARTS ARE LOW LEAD BRASS ALLOY

FILEPATH: PROD-ENG\MUELLER\ASYSUBMITTALS\H14227N

						DRF TRJ Garvin 2/3/11	Mueller Co.	THIRD ANGLE PROJECTION 
						CHKR		
						ENGR		
						MGR		
						BY	DATE	UNLESS OTHERWISE NOTED
						STK No:		SURFACE PREPARATION:
						MAT'L:		BREAK CORNER(S) ---- .000
REV	ECR	DESCRIPTION	DATE	BY	CHKR	DESCR.	METER YOKE COUPLING	REF. No.
							LLB (110 CTS x MULTI THR'D)	SCALE
PER EST NO: DXXXX EST FIN WT = 0.00000 lbs								FULL
								PART NUMBER
								H14227N

PART NUMBER
H14227N
442-MRKTG