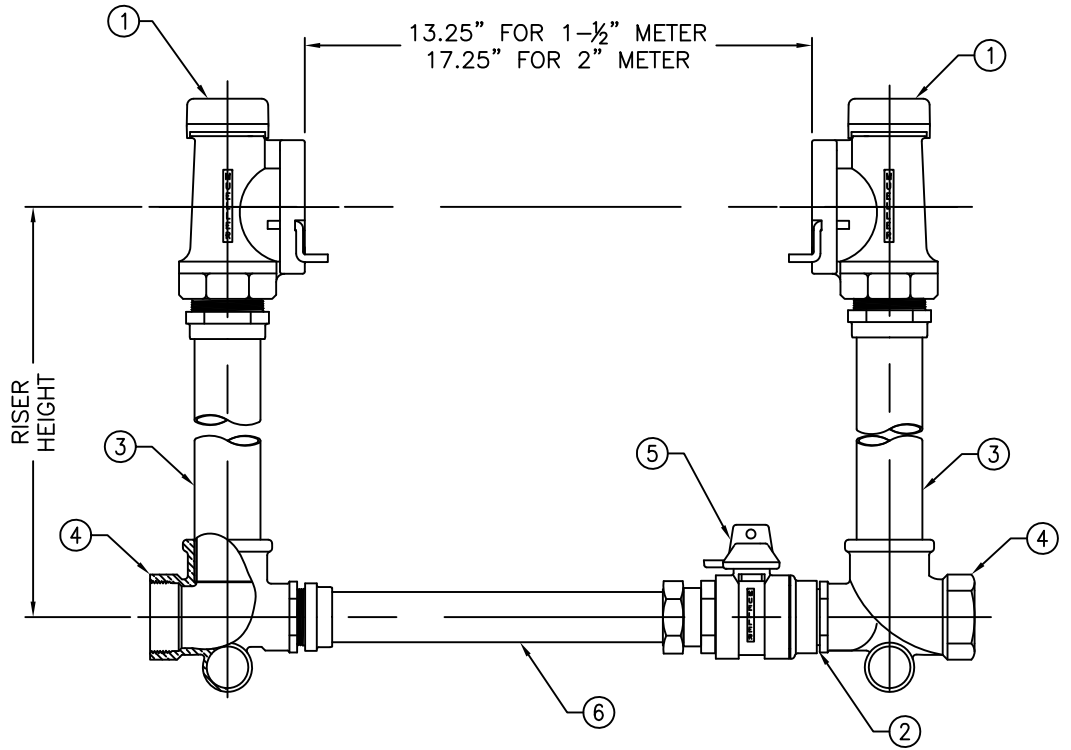


1-1/2" METER SETTER			
ITEM	DESCRIPTION	PART NO.	REQ'D
1	1-1/2" INVERTED KEY VALVE	H1428601N	2
2	1" CLOSED NIPPLE	047139	1
3	1-1/2" RISER SUB ASSEMBLY		2
4	TEE	509704E	2
5	1" INLINE BALL VALVE	B25170N	1
6	BYPASS SUB-ASSEMBLY	283236E	1

2" METER SETTER			
ITEM	DESCRIPTION	PART NO.	REQ'D
1	2" INVERTED KEY VALVE	H1428601N	2
2	1" CLOSED NIPPLE	047139	1
3	2" RISER SUB ASSEMBLY		2
4	TEE	530146E	2
5	1" INLINE BALL VALVE	B25170N	1
6	BYPASS SUB-ASSEMBLY	283236E	1



OPTION CODE: _____

DRFT'R	BBF	3/17/16	THIRD ANGLE PROJECTION	REF. NO.	SCALE
CHK'R					NONE
E.O. NUMBER				STOCK No.	
			DESCR.	REV.	NUMBER
			HORIZONTAL INLET AND OUTLET WITH LOWER BYPASS LOW LEAD BRASS	H1423-----N	
					SHEET 1 OF 1

H1423-----N

REV.	DESCRIPTION	REF.	DRFT'R	CHK'R	APP	DATE