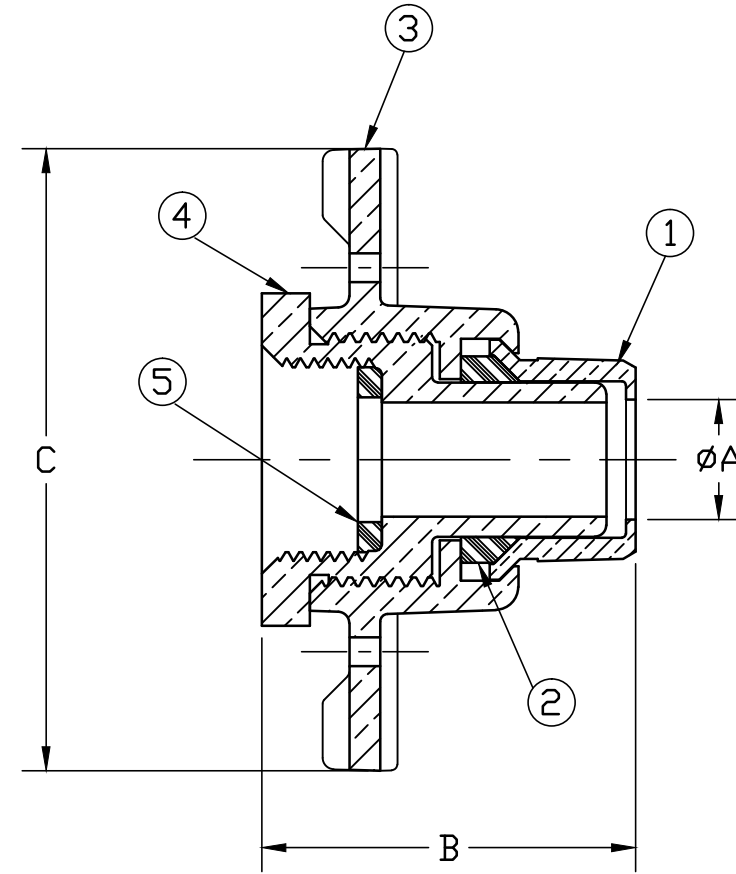
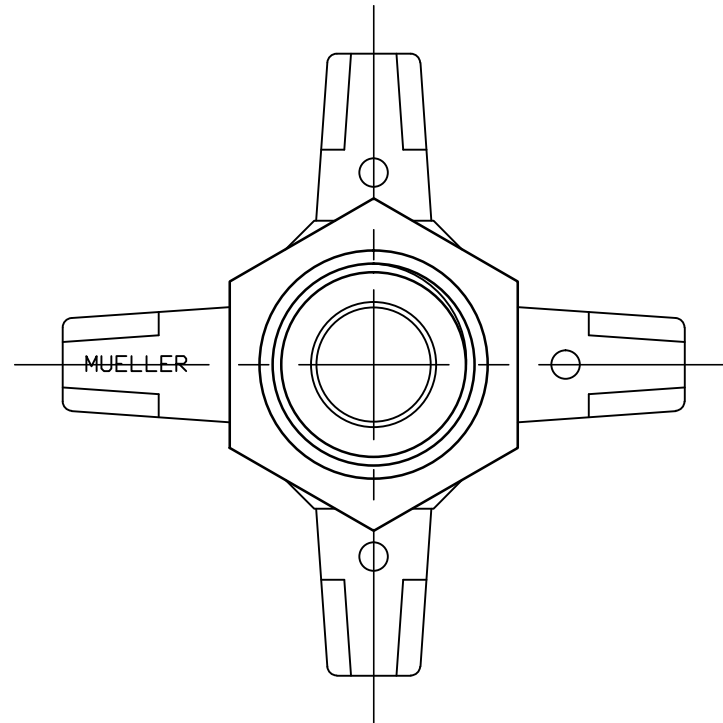



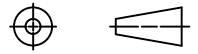
No.	DESCRIPTION	MATERIAL
1	EXT. CAP	CAST LOW LEAD BRASS ALLOY
2	SEAL	ASTM D2000 NBR
3	HANDWHEEL	CAST BRASS ASTM B62 ALLOY C83600
4	METER ADAPTER	CAST LOW LEAD BRASS ALLOY
5	RUBBER GASKET	RUBBER CODE R9



SIZE	ØA	B	C
5/8	.625	1.947	3.240
5/8 x 3/4	.750	2.125	3.500
1	1.000	2.546	4.300

ALL WETTED PARTS ARE LOW LEAD BRASS ALLOY

FILEPATH: PROD-ENG\MUELLER\ASYSUBMITTALS\H14234N

						DRFTR	RWB	6/15/11			
						CHKR					
						ENGR					
						MGR					
									UNLESS OTHERWISE NOTED	THIRD ANGLE PROJECTION	
									SURFACE PREPARATION:		
									BREAK CORNER(S) ---- .000		
									SURFACE FINISH -- XX RMS	REF. No.	SCALE
									TOLERANCE(S):		FULL
									LINEAR ----- ± .000		
									ANGULAR ----- ± 0°00'		
									STK No:		
									MAT'L:		
									DESCR.		PART NUMBER
									3 PC 4 SPOKE LLB HANDWHEEL EXPANSION UNIT		H14234N
REV	ECR	DESCRIPTION	DATE	BY	CHKR						

PART NUMBER
H14234N

44² - MRKT