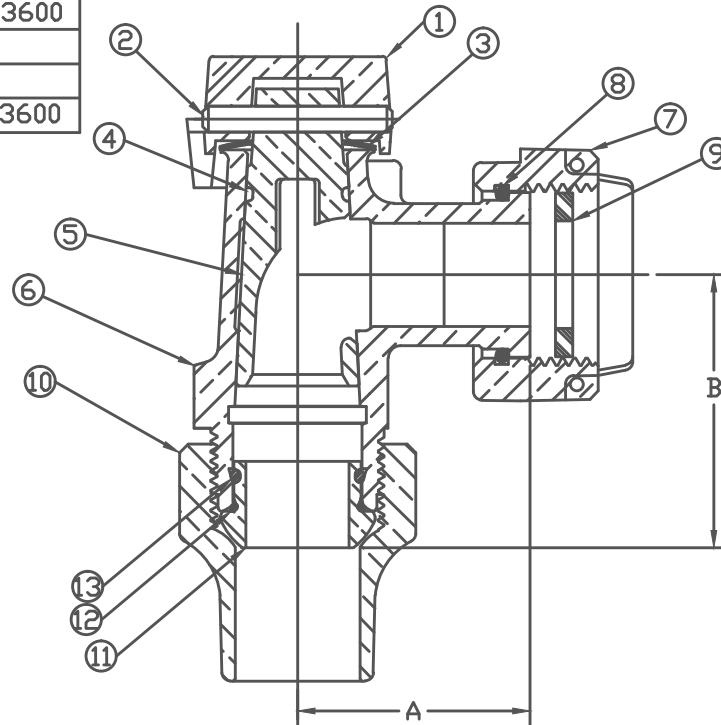


No.	DESCRIPTION	MATERIAL	No.	DESCRIPTION	MATERIAL
1	KEY CAP	CAST BRASS ASTM B62 ALLOY C83600	11	SWIVEL BUSHING	LOW LEAD BRASS ALLOY
2	PIN	BRASS ASTM B16 ALLOY C36000	12	O-RING	EPDM ASTM D2000
3	SPRING WASHER	PHOS BRONZE	13	O-RING	EPDM ASTM D2000
4	O-RING	EPDM ASTM D2000			
5	KEY	CAST LOW LEAD BRASS ALLOY			
6	BODY	CAST LOW LEAD BRASS ALLOY			
7	SADDLE NUT	CAST BRASS ASTM B62 ALLOY C83600			
8	SNAP RING	PHOS BRONZE			
9	RUBBER GASKET	NITRILE ASTM D2000			
10	TUBE NUT	CAST BRASS ASTM B62 ALLOY C83600			

NOTE: ALL WETTED PARTS ARE LOW LEAD BRASS ALLOY



METER CONNX SIZE	A	B
5/8 x 3/4	1-11/16"	1-63/64"
5/8 x 3/4 x 3/4	1-11/16"	1-63/64"
* 5/8 x 3/4 x 1	1-11/16"	1-29/32"
1	1-15/16"	2-23/64"

* CONFIGURATION FOR 5/8x3/4x1

FILEPATH: PROD-ENG\MUELLER\ASYSUBMITTALS\H14255N

DRFTR	JGarvir	1/5/12	Mueller Co.		
CHKR					
ENGR					
MGR					
UNLESS OTHERWISE NOTED			THIRD ANGLE PROJECTION		
SURFACE PREPARATION:			REF. No. SCALE		
BREAK CORNER(S) --- .000					
SURFACE FINISH -- XX RMS			FULL		
TOLERANCE(S):					
LINEAR ----- ± .000					
ANGULAR ----- ± 0°00'					
BY DATE					
STK No:					
MAT'L:					
DESCR.					
ANGLE METER STOP			PART NUMBER		
LOW LEAD BRASS(CS x MTR)			H14255N		
REV	ECR	DESCRIPTION	DATE	BY	CHKR
PER EST NO: DXXXX EST FIN WT = 0.0000 lbs					

PART NUMBER
H14255N
442-MRKTG