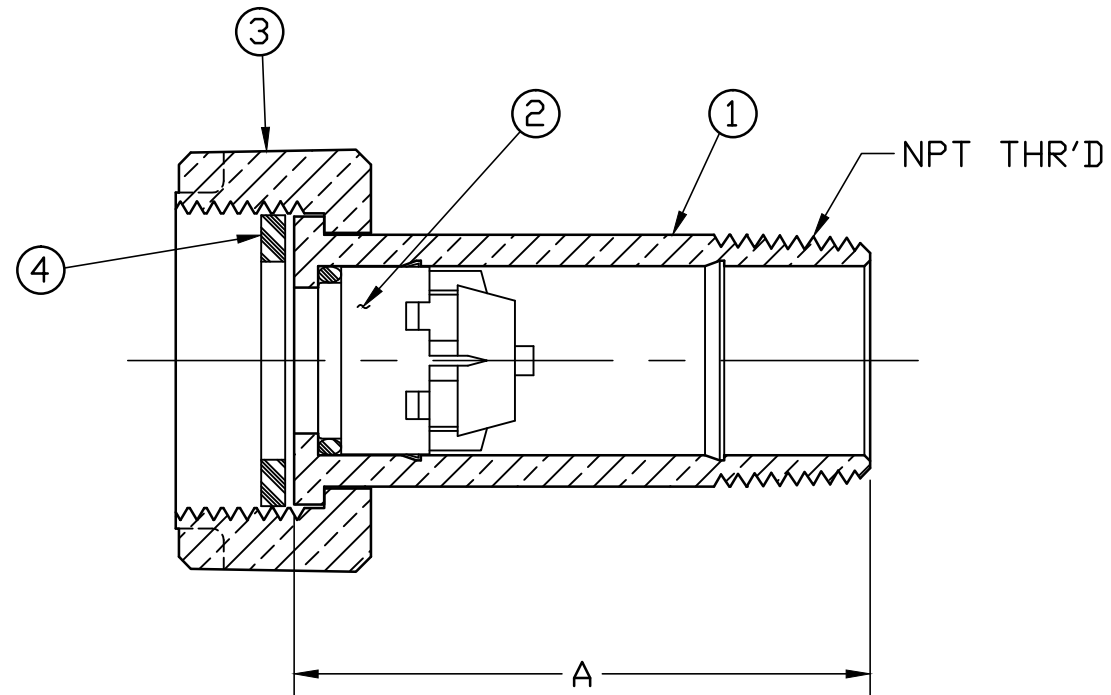


No.	DESCRIPTION	MATERIAL
1	TAILPIECE	LOW LEAD BRASS ALLOY
2	CHECK W/ O-RING	CELCON M90/EPDM D2000
3	METER NUT	CAST BRASS ASTM B62 ALLLOY C83600
4	GASKET	NITRILE D2000



SIZE	A	NPT SIZE
3/4	1.50	3/4
3/4	2.00	
3/4	2.500	
3/4	3.00	1
1	2.00	
1	3.00	

FILEPATH: PROD-ENG\MUELLER\SUBMITTALS\H14480N

						DRFTR	RWB	6/29/16	Mueller Co.		
						CHKR					
						ENGR					
						MGR					
									UNLESS OTHERWISE NOTED	THIRD ANGLE PROJECTION	
									SURFACE PREPARATION:		
									BREAK CORNER(S) ---- .000		
									SURFACE FINISH -- XX RMS	REF. No.	SCALE
									TOLERANCE(S):		FULL
									LINEAR ----- ± .000		
									ANGULAR ----- ± 0°00'		
									STK No:		
									MAT'L:		
									DESCR.	5/8" x 3/4" x 3/4" & 1" INLINE	DWG NUMBER
										SINGLE CHECK VALVE ASSEMBLY-LLB	H14480N
									PER EST NO: DXXXX	EST FIN WT = 0.0000 lbs	

DWG NUMBER
H14480N

44-MRKTG

TITLE TO AND OWNERSHIP OF THIS ENGINEERING DATA REMAINS IN Mueller Co. NO USE IS TO BE MADE OF THIS DATA EXCEPT AS SPECIFICALLY AUTHORIZED BY Mueller Co. ASSENT ON THE PART OF THE RECIPIENT TO THESE CONDITIONS IS PRESUMED.