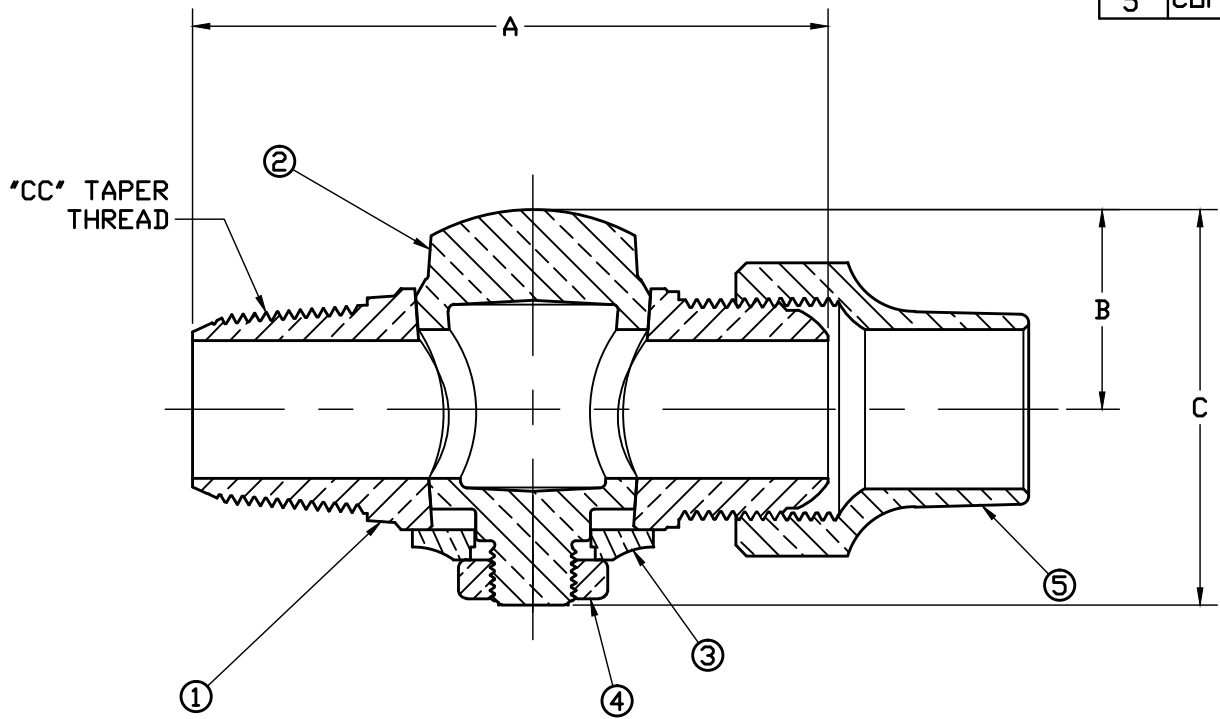


No.	DESCRIPTION	MATERIAL
1	BODY	CAST LOW LEAD BRASS ALLOY
2	KEY	CAST LOW LEAD BRASS ALLOY
3	KEY WASHER	CAST BRASS ASTM B62 ALLOY C83600
4	KEY NUT	CAST BRASS ASTM B62 ALLOY C83600
5	COPPER TUBE NUT	CAST BRASS ASTM B62 ALLOY C83600



SIZE	A	B	C
1/2	3.45	1.14	2.30
5/8	3.53	1.20	2.50
5/8x3/4	3.50	1.20	2.50
3/4	3.84	1.30	2.68
3/4 x 1	4.02	1.30	2.68
1	4.61	1.41	2.87
1 1/4	5.55	1.80	3.80
1 1/2	6.36	2.16	4.84
1 1/2 x 2	6.64	2.16	4.84
2	7.53	2.36	4.83

NOTE: ALL WETTED PARTS ARE LOW LEAD BRASS ALLOY

FILEPATH: PRODD-ENG\MUELLER\ASYSUBMITTALS\H15000N

						DRFTRJGarvin 2/12/10	Mueller Co.	THIRD ANGLE PROJECTION REF. No. SCALE FULL
						CHKR		
						ENGR		
						MGR		
						BY DATE	UNLESS OTHERWISE NOTED SURFACE PREPARATION: BREAK CORNER(S) ---- .000 SURFACE FINISH -- XX RMS TOLERANCE(S): LINEAR ----- ± .000 ANGULAR ----- ± 0°00'	
						STK No:		
						MAT'L:		
REV	ECR	DESCRIPTION	DATE	BY	CHKR	DESCR.	CORPORATION STOP	
PER	EST NO:	DXXXX	EST FIN	WT =	0.0000	lbs	LOW LEAD BRASS ('CC' TAPER x CS)	
							PART NUMBER	H15000N

PART NUMBER
H15000N
 442-MRKTG