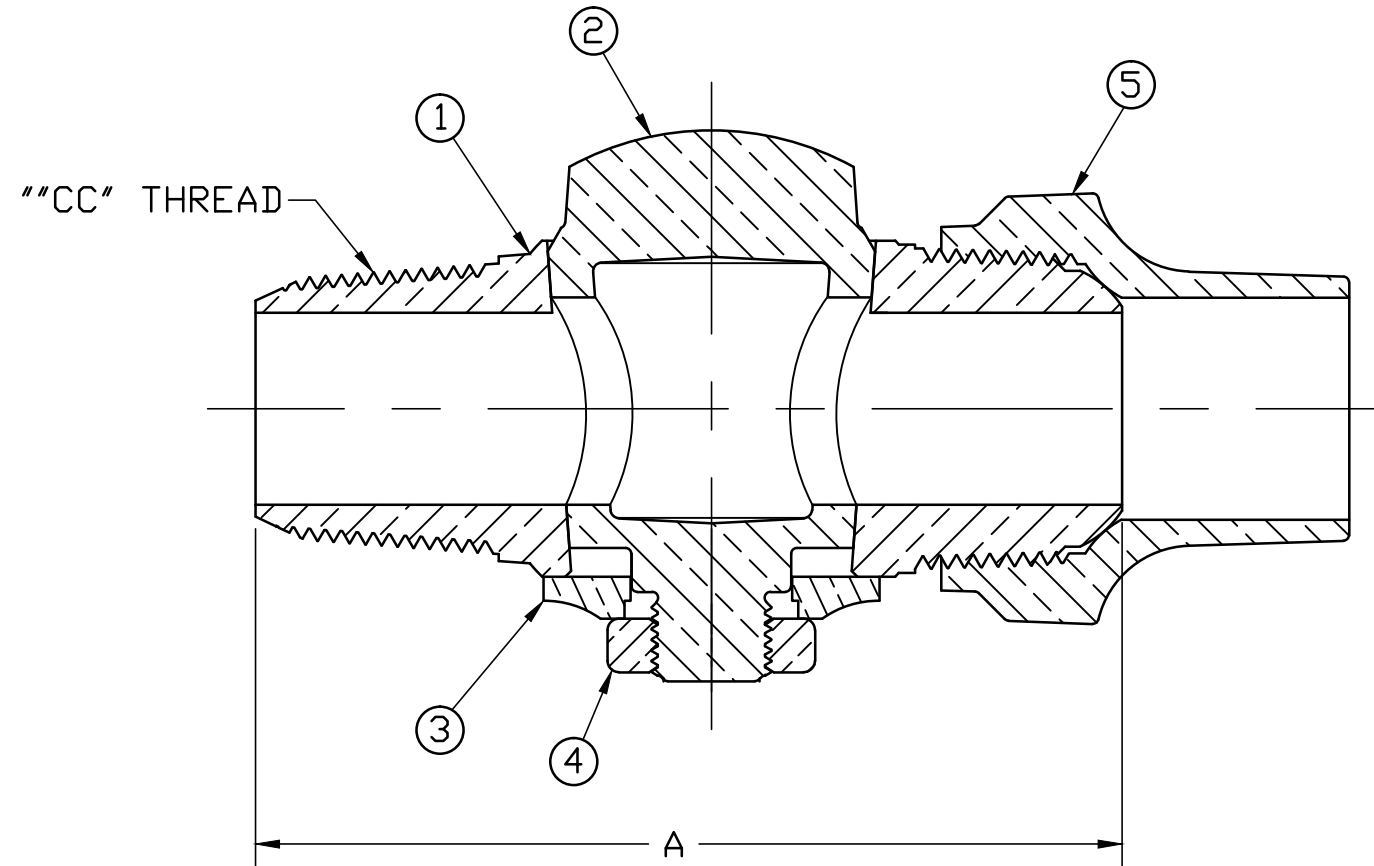


No.	DESCRIPTION	MATERIAL
1	BODY	CAST LOW LEAD BRASS ALLOY
2	KEY	CAST LOW LEAD BRASS ALLOY
3	KEY WASHER	CAST BRASS ASTM B62 ALLOY C83600
4	KEY NUT	CAST BRASS ASTM B62 ALLOY C83600
5	TUBE NUT	CAST BRASS ASTM B62 ALLOY C83600



VALVE SIZE	A
3/4"	3.84
1"	4.61

NOTE: ALL WETTED PARTS ARE LOW LEAD BRASS ALLOY

FILEPATH: PROD-ENG\MUELLER\APPROVED\H15002N

						DRFTR	RWB	9/12/14	<b>Mueller Co.</b>		UNLESS OTHERWISE NOTED THIRD ANGLE PROJECTION		
						CHKR							SURFACE PREPARATION: BREAK CORNER(S) ---- .000 SURFACE FINISH -- XX RMS TOLERANCE(S): LINEAR ----- ± .000 ANGULAR ----- ± 0°00'
						ENGR					BY	DATE	
						MGR					STK No:		
						MAT'L:							
						DESCR.		CORPORATION STOP - LLB 'CC TAPER" x CS)		DWG NUMBER H15002N			
						PER EST NO: DXXXX EST FIN WT = 0.0000 lbs							

DWG NUMBER  
H15002N  
442-MRKTG

TITLE TO AND OWNERSHIP OF THIS ENGINEERING  
DATA REMAINS IN Mueller Co. NO USE IS TO BE  
MADE OF THIS DATA EXCEPT AS SPECIFICALLY  
AUTHORIZED BY Mueller Co. ASSENT ON THE PART  
OF THE RECIPIENT TO THESE CONDITIONS IS PRESUMED