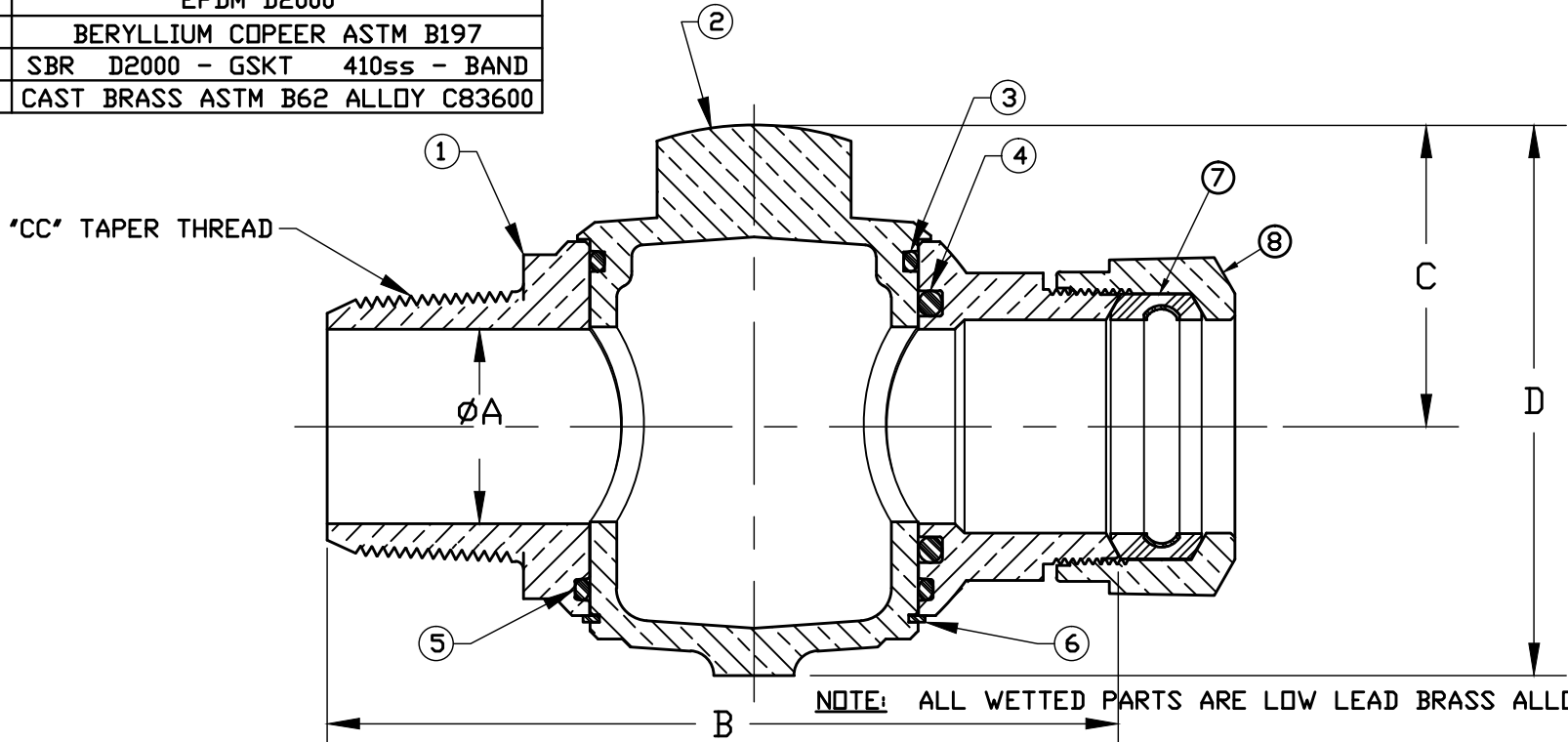


No.	DESCRIPTION	DESCRIPTION
1	BODY	CAST LOW LEAD BRASS ALLOY
2	KEY	CAST LOW LEAD BRASS ALLOY
3	ORING	EPDM D2000
4	ORING	EP D2000
5	ORING	EPDM D2000
6	RETAINING RING	BERYLLIUM COPPER ASTM B197
7	CTS GSKT SUB	SBR D2000 - GSKT 410ss - BAND
8	CONN NUT	CAST BRASS ASTM B62 ALLOY C83600

SIZE	ØA	B	C	D	KEY HEAD
1-1/2"	1.50	6.11	2.32	4.25	.56 x 1.50
2"	1.94	7.06	2.47	4.58	.62 x 1.75



FILEPATH: PROD-ENG\MUELLER\ASYSUBMITTALS\H15013N

DRFTR	JGarvin	9/30/10	Mueller Co.		
CHKR					
ENGR					
MGR					
UNLESS OTHERWISE NOTED			THIRD ANGLE PROJECTION		
SURFACE PREPARATION:			REF. No. SCALE		
BREAK CORNER(S) ---- .000					
SURFACE FINISH -- XX RMS			FULL		
TOLERANCE(S):					
LINEAR ----- ± .000					
ANGULAR ----- ± 0°00'					
STK No:					
MAT'L:					
DESCR. ORISEAL CORPORATION VALVE			PART NUMBER		
LOW LEAD BRASS(CC TAPER x 110CTS)			H15013N		
REV	ECR	DESCRIPTION	DATE	BY	CHKR
PER EST NO: DXXXX EST FIN WT = 0.0000 lbs					

PART NUMBER
H15013N
442-MRKTG