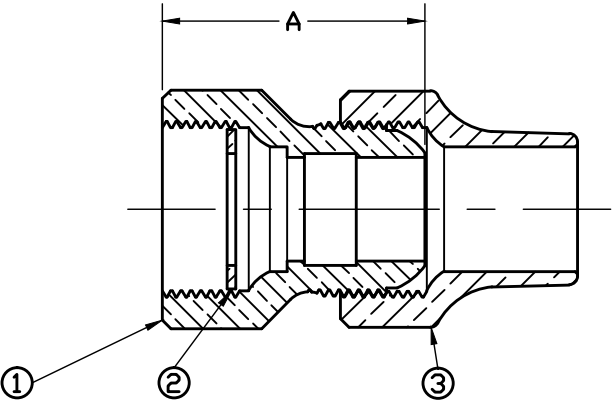


No.	DESCRIPTION	MATERIAL
1	SPUD	CAST LOW LEAD BRASS ALLOY
2	COPPER GASKET	COPPER ASTM B152 ALLOY C11000
3	COPPER TUBE NUT	CAST BRASS ASTM B62 ALLOY C83600



SIZE	A
3/4x1	1.91
1x3/4	2.16
1x1-1/4	2.22

NOTE: ALL WETTED PARTS ARE LOW LEAD BRASS ALLOY

FILEPATH: PRODD-ENG\MUELLER\ASYSUBMITTALS\H15062N

						DRFTR JGarvin 7/19/10	Mueller Co.		UNLESS OTHERWISE NOTED SURFACE PREPARATION: BREAK CORNER(S) ---- .000 SURFACE FINISH -- XX RMS TOLERANCE(S): LINEAR ----- ± .000 ANGULAR ----- ± 0°00'		THIRD ANGLE PROJECTION 			
						CHKR							REF. No.	SCALE
						ENGR								FULL
						MGR								
						BY	DATE							
						STK No:								
						MAT'L:								
REV	ECR	DESCRIPTION	DATE	BY	CHKR	DESCR. CORPORATION STOP COUPLING					PART NUMBER			
PER EST NO: DXXXX EST FIN WT = 0.0000 lbs						LOW LEAD BRASS('CS' COUPLING x CS)					H15062N			

PART NUMBER
H15062N
442-MRKTG