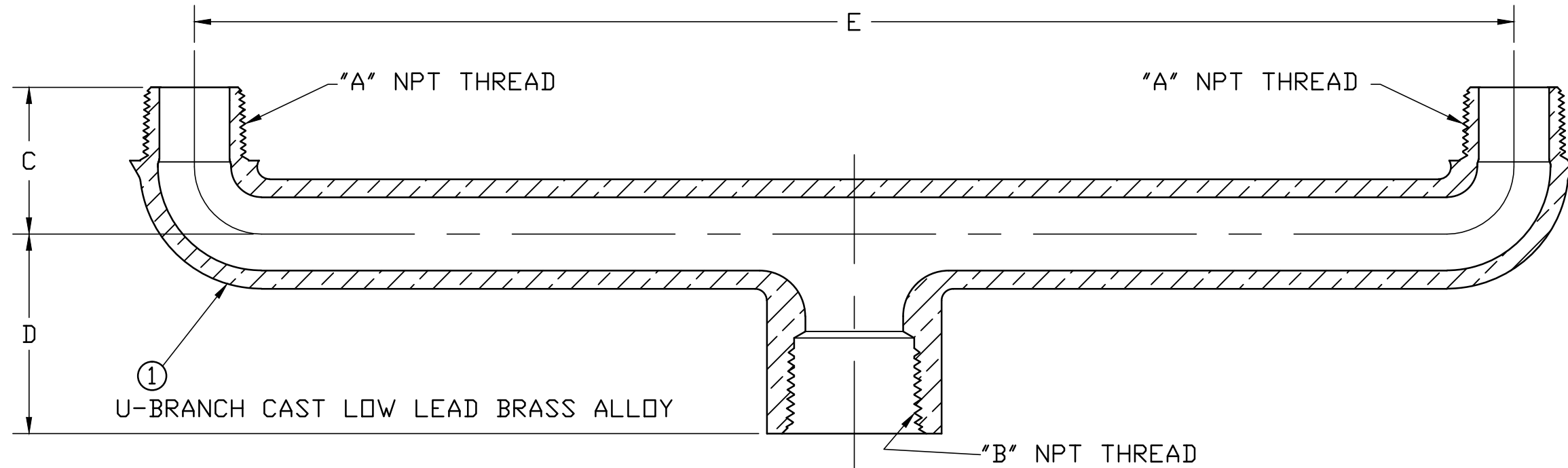
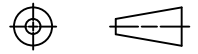


SIZE	A	B	C	D	E
3/4 x 3/4	3/4"	3/4"	1.61	1.63	7.50
1 x 3/4	3/4"	1"	1.56	1.93	6.50
1 x 3/4	3/4"	1"	1.56	1.93	7.50
1 x 3/4	3/4"	1"	1.69	1.94	13.50
1 x 1	1"	1"	1.59	1.75	7.50
1-1/4 x 3/4	3/4"	1-1/4"	1.56	1.96	13.50
1 x 3/4	3/4"	1"	3.56	2.38	14.00



FILEPATH: PROD-ENG\MUELLER\ASYSUBMITTALS\H15365N

						DRFTR	RWB	11/22/13	Mueller Co.		UNLESS OTHERWISE NOTED SURFACE PREPARATION: BREAK CORNER(S) ---- .000 SURFACE FINISH -- XX RMS TOLERANCE(S): LINEAR ----- ± .000 ANGULAR ----- ± 0°00'		THIRD ANGLE PROJECTION  REF. No. SCALE FULL	
									BY	DATE				
									STK No:					
									MAT'L:					
									DESCR.	LLB U BRANCH CONNECTION (FIP x MIP)				
												DWG NUMBER	H15365N	
REV	ECR	DESCRIPTION	DATE	BY	CHKR									

TITLE TO AND OWNERSHIP OF THIS ENGINEERING DATA REMAINS IN Mueller Co. NO USE IS TO BE MADE OF THIS DATA EXCEPT AS SPECIFICALLY AUTHORIZED BY Mueller Co. ASSENT ON THE PART OF THE RECIPIENT TO THESE CONDITIONS IS PRESUMED

DWG NUMBER
H15365N
442-MRKTG