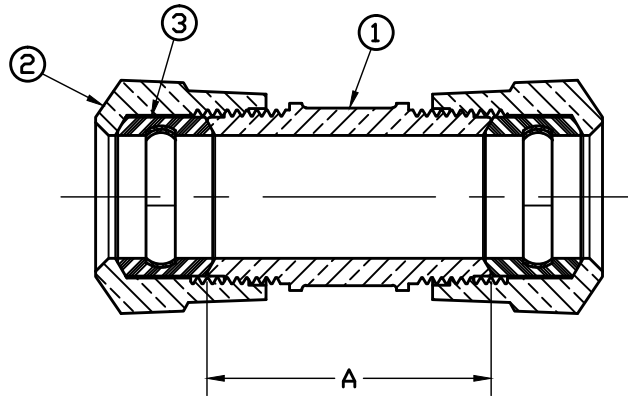


No.	QTY.	DESCRIPTION	MATERIAL
1	1	SPUD	CAST LOW LEAD BRASS ALLOY
2	2	CONN. NUT	CAST BRASS ASTM B62 ALLOY C83600
3	2	CTS GSKT SUB	SBR D2000 - GSKT 410ss - BAND



SIZE	A
1/2	1.625
1/2x3/4	1.950
5/8	1.656
5/8x3/4	1.750
3/4	2.062
1	2.406
1x3/4	1.835
1-1/4	2.375
1-1/4x1	2.154
1-1/2	3.312
1-1/2x1	2.840
2	3.375

**NOTE:** ALL WETTED PARTS ARE LOW LEAD BRASS ALLOY

FILEPATH: PRODD-ENG\MUELLER\ASYSUBMITTALS\H15403N

DRFTR	JGarvir	12/21/09	<b>Mueller Co.</b>		
CHKR					
ENGR					
MGR					
			UNLESS OTHERWISE NOTED	THIRD ANGLE PROJECTION	
			SURFACE PREPARATION:		
			BREAK CORNER(S) ---- .000		
			SURFACE FINISH -- XX RMS	REF. No.	
			TOLERANCE(S):	SCALE	
			LINEAR ----- ± .000	NONE	
			ANGULAR ----- ± 0°00'		
			BY	DATE	
			STK No:		
			MAT'L:		
REV	ECR	DESCRIPTION	DATE	BY	CHKR
DESCR. STRAIGHT SERVICE FITTING					
LOW LEAD BRASS (110 CTS x 110 CTS)					
PART NUMBER					H15403N
PER EST NO: DXXXX EST FIN WT = 0.0000 lbs					

PART NUMBER  
H15403N  
442-MRKTG