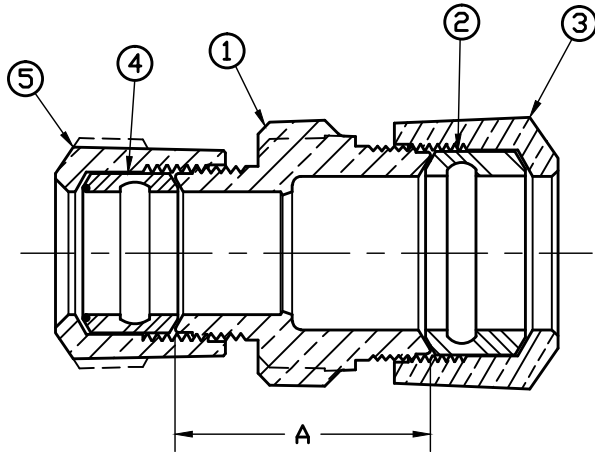


No.	DESCRIPTION	MATERIAL
1	SPUD	CAST LOW LEAD BRASS ALLOY
2	IPS PE GSKT	ASTM D2000(SBR)&410 STAINLESS STEEL
3	CONN NUT	CAST BRASS ASTM B62 ALLOY C83600
4	CTS GSKT	ASTM D2000(SBR)&410 STAINLESS STEEL
5	CONN NUT	CAST BRASS ASTM B62 ALLOY C83600



SIZE	A
3/4	1.85
3/4 x 1	2.14
1	2.15
1 x 3/4	2.06

NOTE: ALL WETTED PARTS ARE LOW LEAD BRASS ALLOY

FILEPATH: PROD-ENG\MUELLER\ASYSUBMITTALS\H15409N

						DRFTR	RWB	12/21/09	Mueller Co.	UNLESS OTHERWISE NOTED THIRD ANGLE PROJECTION SURFACE PREPARATION: BREAK CORNER(S) ---- .000 SURFACE FINISH -- XX RMS TOLERANCE(S): LINEAR ----- ± .000 ANGULAR ----- ± 0°00'	REF. No.	SCALE NONE
						CHKR						
						ENGR						
						MGR						
							BY	DATE				
							STK No:					
							MAT'L:					
REV	ECR	DESCRIPTION	DATE	BY	CHKR	DESCR. STRAIGHT SERVICE FITTING LOW LEAD BRASS (110 CTS x 110 IPS)						PART NUMBER H15409N
PER EST NO: DXXXX EST FIN WT = 0.0000 lbs												

PART NUMBER
H15409N
442-MRKTNG