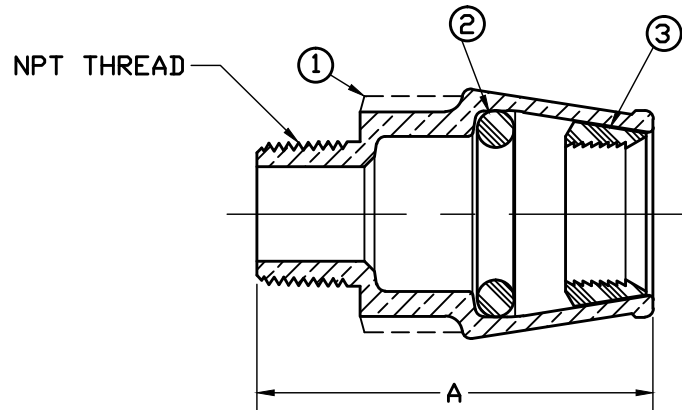


No.	QTY.	DESCRIPTION	MATERIAL
1	1	BODY	CAST LOW LEAD BRASS ALLOY
2	1	O RING	EP ASTM D2000
3	1	GRIP RING	CELCON



SIZE	A	NPT
3/4	2.88	3/4"
3/4x1	3.12	3/4"
1	3.11	1"

NOTE: ALL WETTED PARTS ARE LOW LEAD BRASS ALLOY

FILEPATH: PRODD-ENG\MUELLER\APPROVED\H15426N

DRFTR	JGarvir	6/23/10	Mueller Co.		
CHKR					
ENGR					
MGR					
BY	DATE		UNLESS OTHERWISE NOTED	THIRD ANGLE PROJECTION	
			SURFACE PREPARATION:		
			BREAK CORNER(S) ---- .000		
			SURFACE FINISH -- XX RMS	REF. No.	SCALE
			TOLERANCE(S):		NONE
			LINEAR ----- ± .000		
			ANGULAR ----- ± 0°00'		
			STK No:	PART NUMBER	
			MAT'L:	H15426N	
REV	ECR	DESCRIPTION	DATE	BY	CHKR
DESCR. STRAIGHT SERVICE FITTING LOW LEAD (MIP x INSTA-TITE IPS PE) BRASS					
PER EST NO: DXXXX EST FIN WT = 0.0000 lbs					

PART NUMBER
H15426N
442-MRKTG