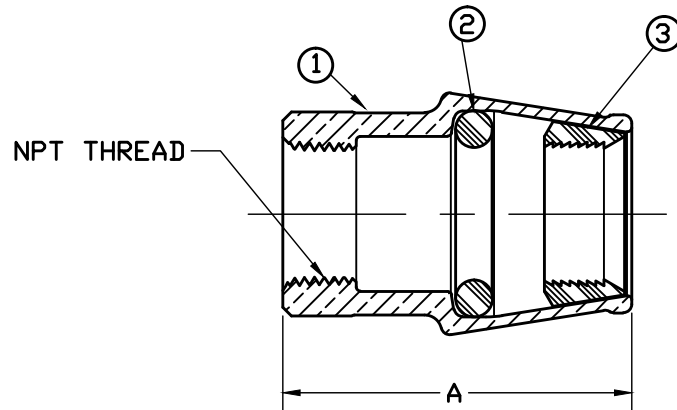


No.	QTY.	DESCRIPTION	MATERIAL
1	1	BODY	CAST LOW LEAD BRASS ALLOY
2	1	O RING	EP ASTM D2000
3	1	GRIP RING	CELCON



SIZE	A	NPT
3/4	2.53	3/4"
3/4x1	2.78	3/4"
1	2.66	1"

NOTE: ALL WETTED PARTS ARE LOW LEAD BRASS ALLOY

FILEPATH: PRODD-ENG\MUELLER\APPROVED\H15456N

DRFTR	Garvin	6/23/10	Mueller Co.		
CHKR					
ENGR					
MGR					
			UNLESS OTHERWISE NOTED	THIRD ANGLE PROJECTION	
			SURFACE PREPARATION:		
			BREAK CORNER(S) ---- .000		
			SURFACE FINISH -- XX RMS	REF. No.	
			TOLERANCE(S):	SCALE	
			LINEAR ----- ± .000	NONE	
			ANGULAR ----- ± 0°00'		
			BY	DATE	
			STK No:		
			MAT'L:		
REV	ECR	DESCRIPTION	DATE	BY	CHKR
DESCR. STRAIGHT SERVICE FITTING LOW LEAD BRASS					
PER EST NO: DXXXX EST FIN WT = 0.0000 lbs					
					PART NUMBER H15456N

PART NUMBER
H15456N
442-MRKTG