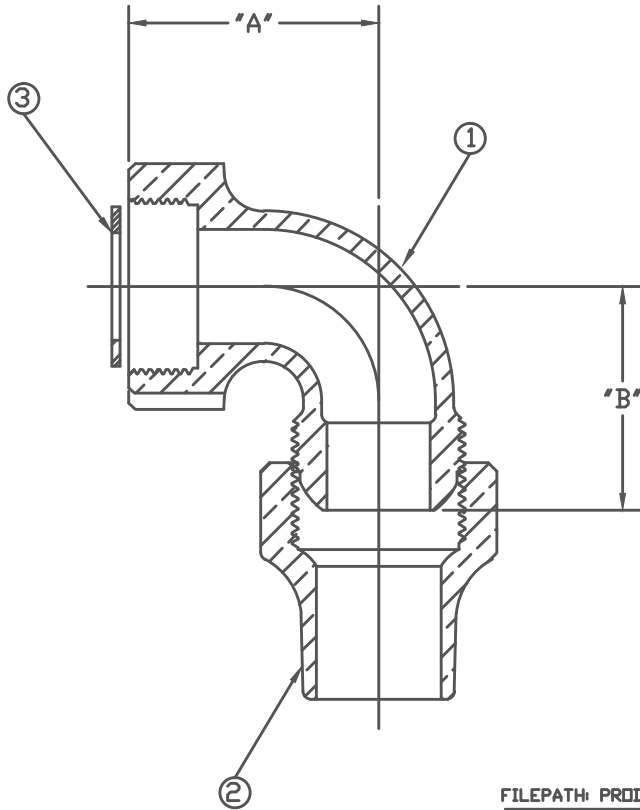


No.	DESCRIPTION	MATERIAL
1	SPUD	CAST LOW LEAD BRASS
2	COPPER TUBE NUT	CAST BRASS ASTM B62 ALLOY C83600
3	FIBER GASKET	RED FIBER



SIZE	A	B
1/2x3/4	1-3/4"	1-5/8"
5/8x3/4	1-3/4"	1-23/32"
3/4	1-13/16"	1-5/8"
1	1-15/16"	2-1/8"
1x3/4	2-1/32"	1-5/8"

NOTE: ALL WETTED PARTS ARE LOW LEAD BRASS ALLOY

FILEPATH: PRODD-ENG\MUELLER\ASYSUBMITTALS\H15490N

						DRFTR Garvin 12/8/11	Mueller Co.	THIRD ANGLE PROJECTION 		
						CHKR			UNLESS OTHERWISE NOTED SURFACE PREPARATION: BREAK CORNER(S) ---- .000 SURFACE FINISH -- XX RMS TOLERANCE(S): LINEAR ----- ± .000 ANGULAR ----- ± 0°00'	
						ENGR				REF. No. SCALE FULL
						MGR				
						BY DATE				
						STK No				
						MAT'L				
						DESCR.	CORPORATION STOP COUPLING QUARTER BEND LOW LEAD BRASS (I/S MUELLER THRD x CS)			
						PER EST NO: DXXXX EST FIN WT = 0.0000 lbs			PART NUMBER H15490N	

PART NUMBER
H15490N
442-MRKTG