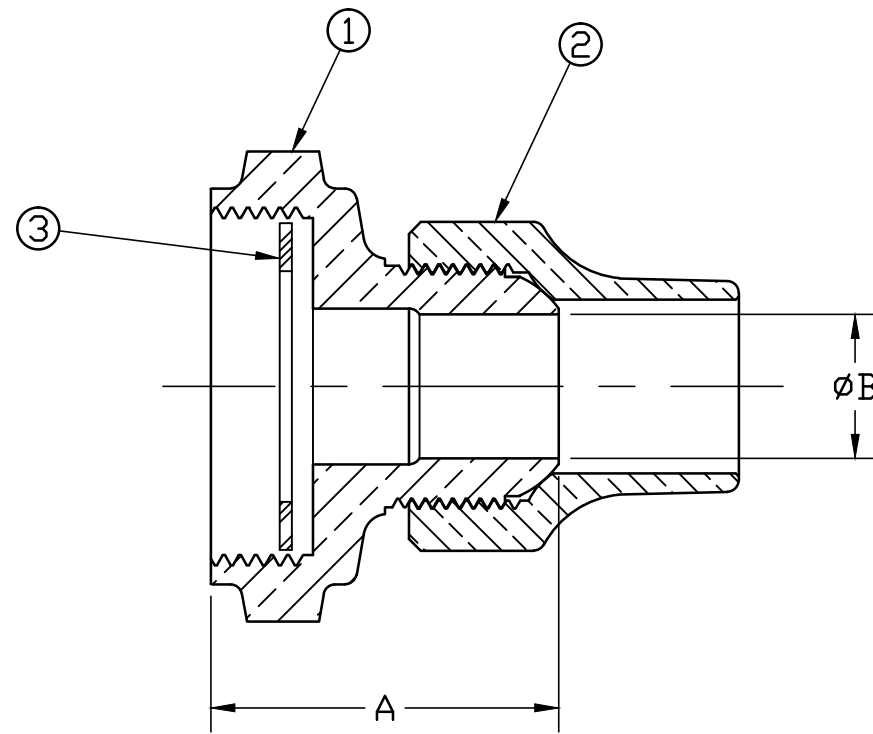


No.	DESCRIPTION	MATERIAL
1	SPUD	CAST LOW LEAD BRASS ALLOY
2	COPPER TUBE NUT	CAST BRASS ASTM B62 ALLOY C83600
3	FIBER GASKET	FIBER ASTM D710



SIZE	A	B
1/2"	1.63	.50
1/2" x 3/4"	1.69	.75
5/8"	1.81	.75
5/8" x 3/4"	1.81	.75
3/4"	1.81	.75
3/4" x 1"	1.81	1.00
1"	2.13	1.00
1" x 3/4"	1.78	.75
1-1/4" x 1"	2.19	1.00
1-1/2"	2.75	1.50
2"	3.16	2.00

NOTE: ALL WETTED PARTS ARE LOW LEAD BRASS ALLOY

FILEPATH: PRODD-ENG\MUELLER\ASYSUBMITTALS\H15505N

DRFTR	RWB	10/7/13	Mueller Co.		
CHKR					
ENGR					
MGR					
			UNLESS OTHERWISE NOTED	THIRD ANGLE PROJECTION	
			SURFACE PREPARATION:		
			BREAK CORNER(S) ---- .000		
			SURFACE FINISH -- XX RMS	REF. No.	
			TOLERANCE(S):	SCALE	
			LINEAR ----- ± .000	FULL	
			ANGULAR ----- ± 0°00'		
			STK No:		
			MAT'L:		
			DESCR.		
			STRAIGHT SERVICE FITTING	DWG NUMBER	
			LLB (XS LEAD FLANGE x CS)	H15505N	
REV	ECR	DESCRIPTION	DATE	BY	CHKR
PER EST NO: DXXXX EST FIN WT = 0.0000 lbs					

DWG NUMBER
H15505N
442-MRKTG

TITLE TO AND OWNERSHIP OF THIS ENGINEERING DATA REMAINS IN Mueller Co. NO USE IS TO BE MADE OF THIS DATA EXCEPT AS SPECIFICALLY AUTHORIZED BY Mueller Co. ASSENT ON THE PART OF THE RECIPIENT TO THESE CONDITIONS IS PRESUMED