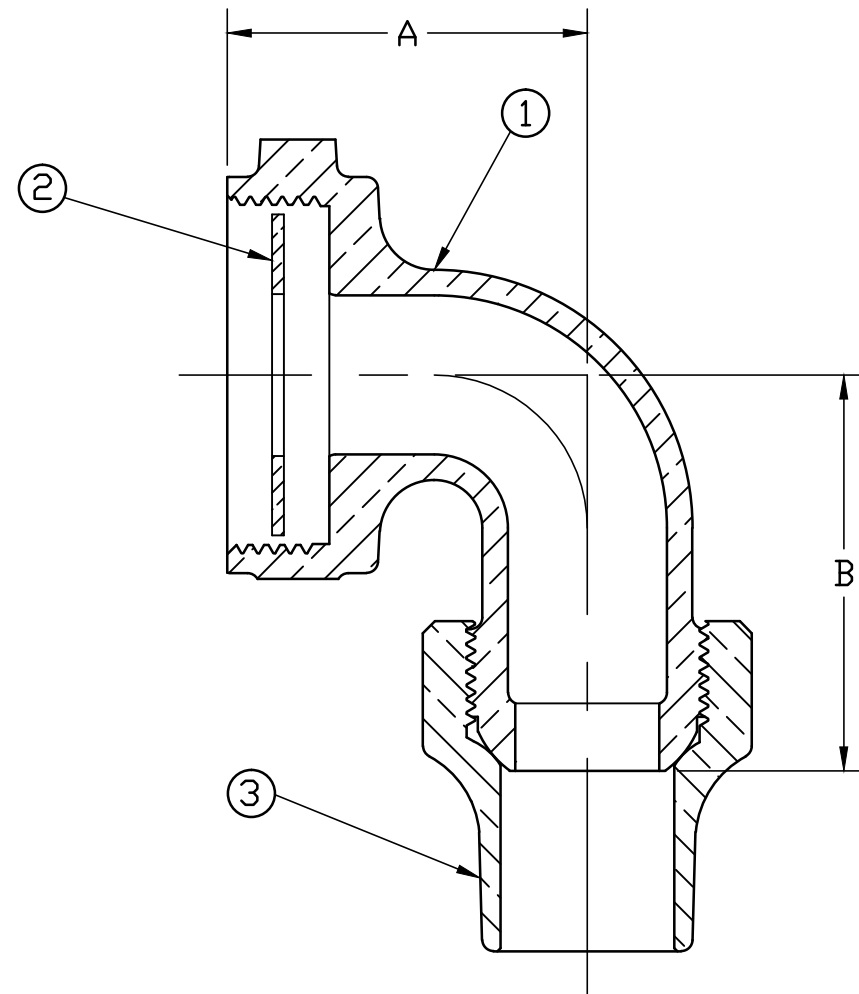


No.	DESCRIPTION	MATERIAL
1	SPUD	CAST LOW LEAD BRASS ALLOY
2	GASKET	FIBER ASTM D710
3	TUBE NUT	CAST BRASS ASTM B62 ALLOY C83600



SIZE	A	A
1/2" x 3/4"	1.88	2.06
5/8" x 3/4"	1.88	2.06
3/4"	1.88	2.06
1"	2.06	2.38

NOTE: ALL WETTED PARTS ARE LOW LEAD BRASS ALLOY

FILEPATH: PROD-ENG\MUELLER\ASYSUBMITTALS\H15513N

						DRFTR	RWB	8/25/15	Mueller Co.	THIRD ANGLE PROJECTION
						CHKR				
						ENGR				
						MGR				
									UNLESS OTHERWISE NOTED	REF. No. SCALE FULL
									SURFACE PREPARATION: BREAK CORNER(S) ---- .000 SURFACE FINISH -- XX RMS	
							BY	DATE	TOLERANCE(S): LINEAR ----- ± .000 ANGULAR ----- ± 0°00'	
									STK No:	
									MAT'L:	
									DESCR.	
									CORP STOP 1/4 BEND COUPLING LLB (XS LEAD FLANGE x CS)	DWG NUMBER H15513N
									PER EST NO: DXXXX EST FIN WT = 0.00000 lbs	

DWG NUMBER
H15513N
442-MRKTG

TITLE TO AND OWNERSHIP OF THIS ENGINEERING DATA REMAINS IN Mueller Co. NO USE IS TO BE MADE OF THIS DATA EXCEPT AS SPECIFICALLY AUTHORIZED BY Mueller Co. ASSENT ON THE PART OF THE RECIPIENT TO THESE CONDITIONS IS PRESUMED