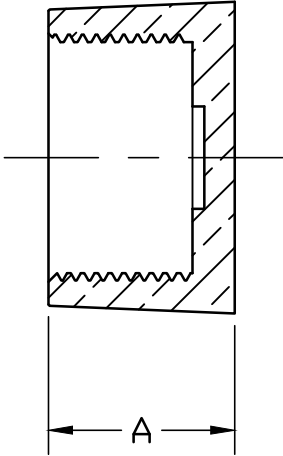
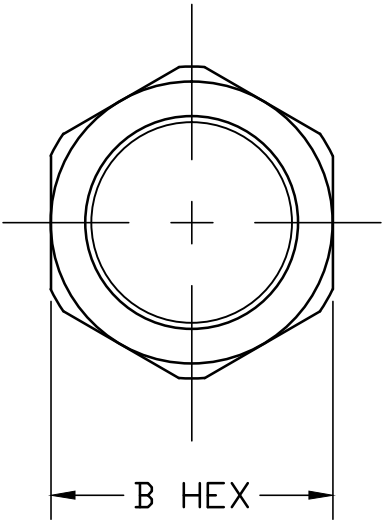



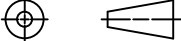
DWG NUMBER
H15540

SIZE	A	B
3/4"	.969	1.469
1"	1.062	1.875
1-1/2"	1.438	2.750
2"	1.938	3.562



FILEPATH: PRODD-ENG\MUELLER\ASYSUBMITTALS\H15540

WAS EXP NO:

						DRFTR	RWB	7/11/16	
						CHKR			
						ENGR			
						MGR			
							BY	DATE	UNLESS OTHERWISE NOTED SURFACE PREPARATION: BREAK CORNER(S) ----- .000 SURFACE FINISH -- 000 RMS TOLERANCE(S): LINEAR ----- ± .000 ANGULAR ----- ± 0°00'
									THIRD ANGLE PROJECTION 
									REF. No.
									SCALE
									FULL
								STK No:	
								MAT'L:	CAST LOW LEAD BRASS ALLOY
								DESCR.	LLB BRASS CAP
									DWG NUMBER
									H15540
									PER EST NO: DXXXX EST FIN WT = 0.00000 lbs