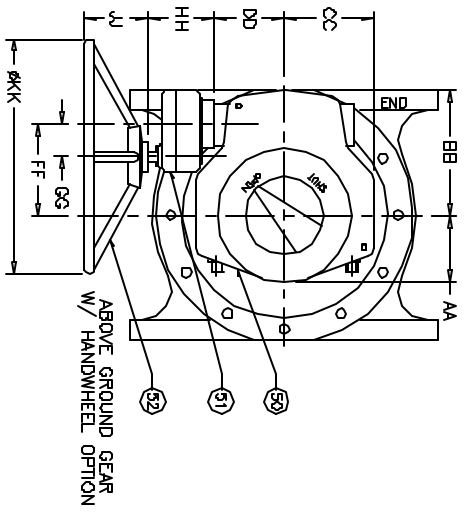
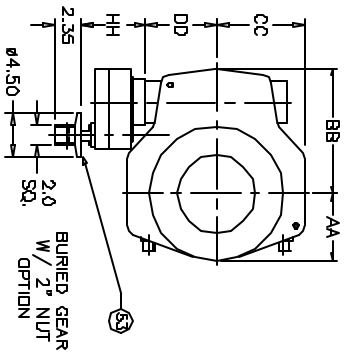


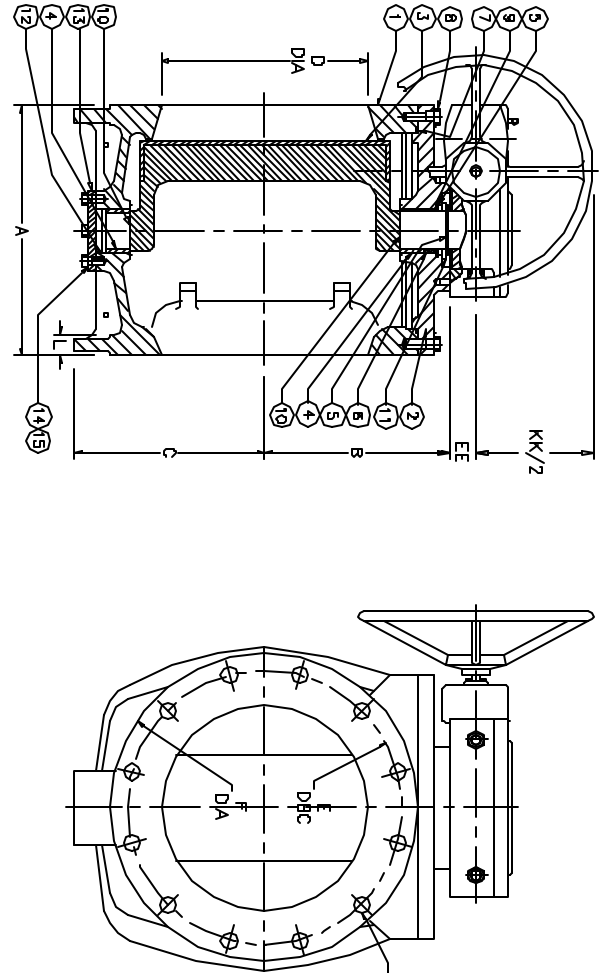
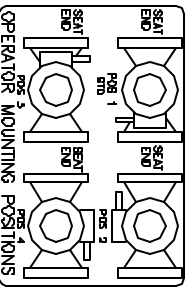
VALVE SIZE	A	B	C	D	E	F	G	H	L
24	42	19.38	21.63	24	29.50	32.00	1.38	20	1.88
30	51	23.44	24.75	30	36.00	38.75	1.38	28	2.13
36	80	27.63	29.00	36	42.75	48.00	1.83	32	2.38

VALVE SIZE	AA	BB	CC	DD	EE	FF	GG	HH	JJ	KK
24"-30"	5.00	9.87	7.00	8.00	2.50	7.13	3.32	6.88	6.50	24
36"	6.87	12.88	9.13	8.88	2.75	9.33	3.32	6.88	6.50	24



THIS DRAWING IS THE PROPERTY OF HENRY PRATT COMPANY AND MUST NOT BE USED IN ANY WAY FURTHER TO THEIR INTERESTS

53	1	2" NUT OPTION	
52	1	HANDWHEEL OPTION	
51	1	SPUR GEAR	
50	1	HOUSING	CAST IRON
15	AR	LOCKWASHER	STEEL/ZINC
14	AR	CAP SCREW	STEEL/ZINC
13	1	TRUNION COVER	A 126 CL B
12	1	O RING	ELAS. AS SPEC.
11	1	SUPPORT WASHER	STEEL
10	2	WASHER	PTFE
9	1	WASHER	STEEL
8	AR	CAP SCREW	STEEL/ZINC
7	1	O RING	ELAS. AS SPEC.
6	2	U CUP SEALS	ELAS. AS SPEC.
5	2	RETAINING RING	SPRING STEEL
4	2	SLEEVE BEARING	BRONZE
3	1	PLUG	A 126 CL B
2	1	CAP	A 126 CL B
1	1	BODY	A 126 CL B



PRATT
Henry Pratt Company

DATE: 8/28/88 BY: CR
CHKD: 9/99

SCALE: NONE
DIMENSIONS: INCHES

24"-36" 90° PORT
PLUG VALVE, FLANGED
W/ MASTERGEAR

DWG. NO.: HP 4828D