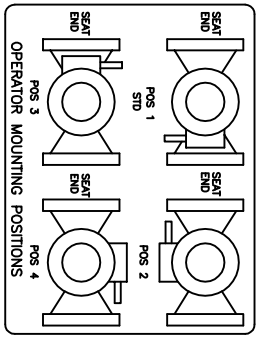
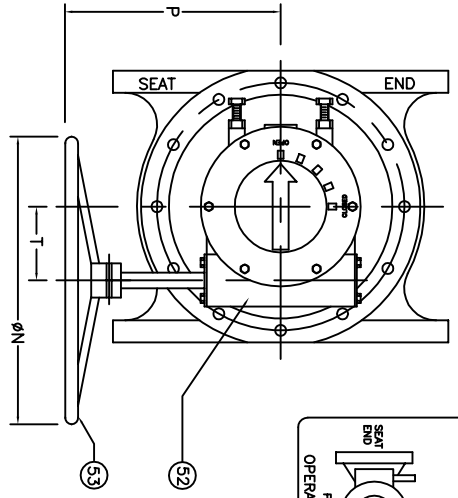
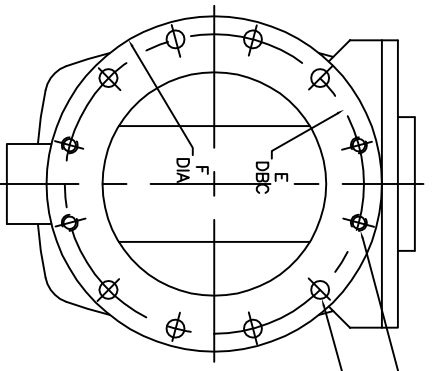
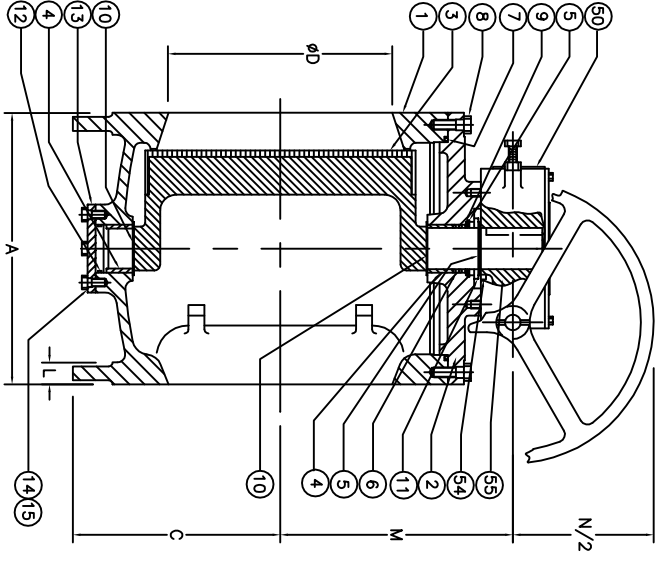


ABOVE GROUND GEAR  
W/  
HANDWHEEL  
OPTION



VALVE SIZE	A	C	D	E	F	G	H	J	K	L	M	N	P	T	FLANGE STYLE	GEAR SIZE
14	17	13	14	18.75	21	1.13	8	1	4	1.13	15.06	18	11.63	4.75	CL125	M80
16	17.75	14	16	21.25	23.25	1.13	8	1	8	1.44	15.81	18	11.63	4.75	CL125	M80
18	21.50	15	18	22.75	25	1.25	8	1.13	8	1.56	17	18	11.63	4.75	CL125	M80
20	23.50	16	20	25	27.50	1.25	12	1.13	8	1.69	20.44	18	11.63	4.75	CL125	M80

REFERENCE ONLY



J SIZE OF TAPPED HOLES  
K NO. OF TAPPED HOLES  
H NO. OF HOLES

THIS DRAWING IS THE PROPERTY OF  
HENRY PRATT COMPANY  
AND MUST NOT BE USED IN ANY WAY  
PREJUDICIAL TO THEIR INTERESTS

55	1	QUADRANT	DUCTILE IRON
54	2	SLEEVE BEARING	BRONZE
53	1	HANDWHEEL	DUCTILE IRON
52	1	WORM GEAR	STEEL
50	1	HOUSING	CAST IRON
15	AR	LOCKWASHER	STEEL/ZINC
14	AR	CAP SCREW	STEEL/ZINC
13	1	TRUNION COVER	CAST IRON
12	1	O RING	ELAS. AS SPEC.
11	1	SUPPORT WASHER	STEEL
10	2	WASHER	PTEE
9	1	WASHER	BRASS
8	AR	CAP SCREW	STEEL/ZINC
7	1	O RING	ELAS. AS SPEC.
6	2	U CUP SEALS	ELAS. AS SPEC.
5	2	RETAINING RING	SPRING STEEL
4	2	SLEEVE BEARING	316 STN. STEEL
3	1	PLUG ELASTOMER AS SPEC.	DUCTILE IRON
2	1	CAP	A126 CL B
1	1	BODY	A126 CL B

ITEM	QTY.	DESCRIPTION	MATERIAL
1	1	BODY	A126 CL B

DATE	REVISIONS	BY	DATE	SCALE
10/95		CR	10/95	NONE

DATE	REVISIONS	BY	DATE	SCALE
10/95		CR	10/95	NONE

Henry Pratt Company  
CHKT'D  
TITLE: PLUG VALVE FLANGED GEAR OPERATED W/ HANDWHEEL  
DWG. NO. HP49036