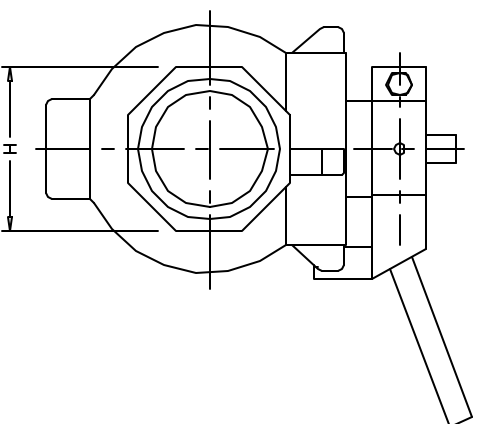
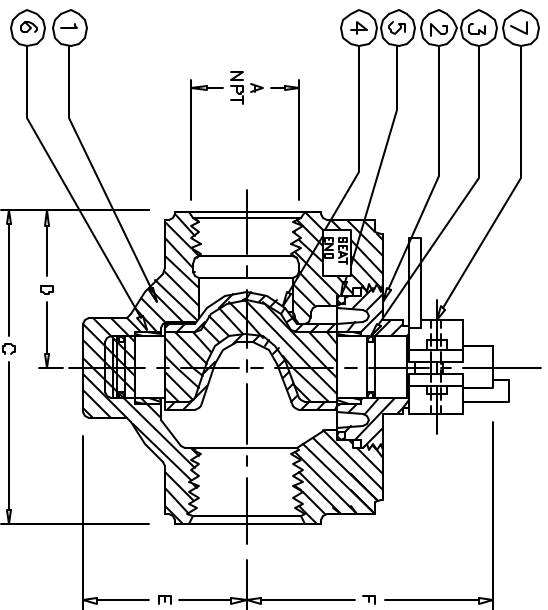
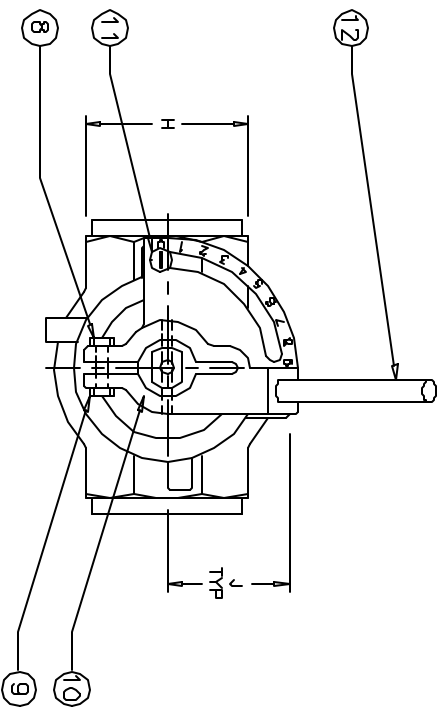


VALVE SIZE	A	C	D	E	F	H	J	WEIGHT
1/2	0.50	3.75	2.10	2.00	3.75	1.88	2.0	4
3/4	0.75	3.80	2.00	2.00	3.75	2.00	2.0	4
1	1.00	3.75	2.01	2.00	3.75	1.88	2.0	4
1-1/4	1.25	4.75	2.63	2.38	4.45	2.75	2.3	7
1-1/2	1.50	4.80	2.63	2.38	4.30	2.75	2.3	7
2	2.00	5.25	2.90	3.30	5.30	3.25	2.5	12



THIS DRAWING IS THE PROPERTY OF  
HENRY PRATT COMPANY  
AND MUST NOT BE USED IN ANY WAY  
PREJUDICIAL TO THEIR INTERESTS

ITEM	QTY	DESCRIPTION	MATERIAL
12	1	HANDLE	STEEL
11	1	MEMORY STOP	ALUMINUM
10	1	TORQUE COLLAR	ALUMINUM
9	1	MACHINE SCREW	STEEL/ZINC
8	1	LOCKNUT	STEEL/ZINC
7	1	SPRING PIN	SPRING STEEL
6	2	BUSHING	BRONZE
5	1	O-RING	Elastomer AS SPEC.
4	1	PLUG	Elastomer AS SPEC.
3	3	O-RING	Ductile Iron Elastomer AS SPEC.
2	1	CAP	A 126 CL B
1	1	BODY	A 126 CL B

<b>PRATT</b> Henry Pratt Company		BY DATE SS 6/03 DIMENSIONS INCHES
DATE	REVISIONS	TITLES
		1/2" TO 2" PLUG VALVE, W/ SCREWED ENDS TORQUE COLLAR & WRENCH
DWS. NO.		HP 49063