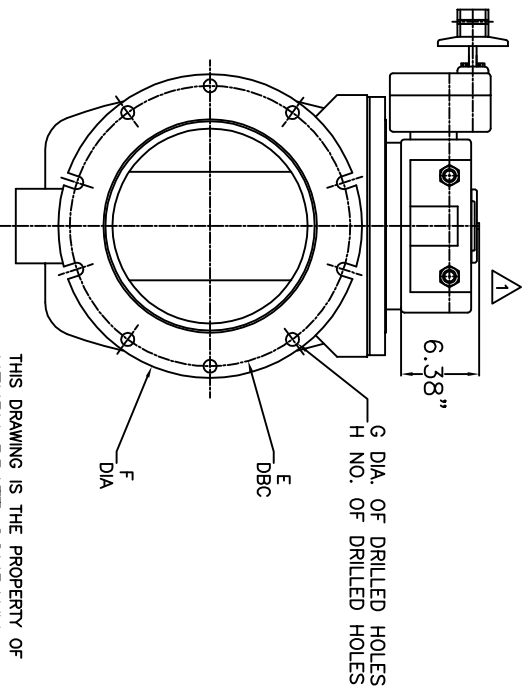
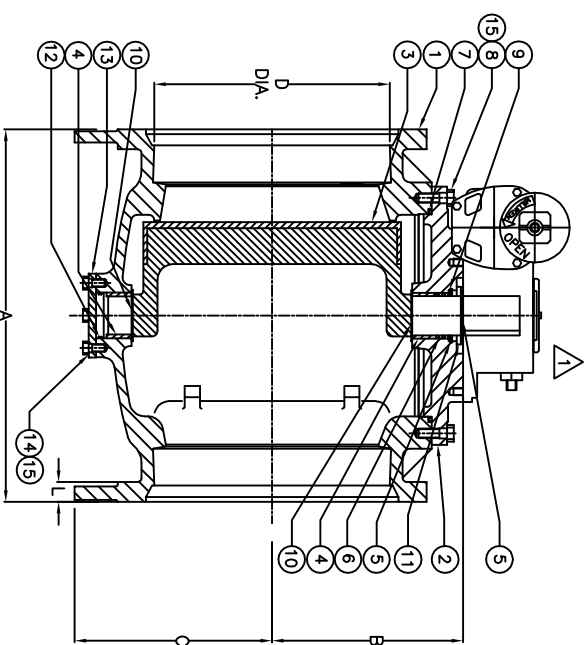
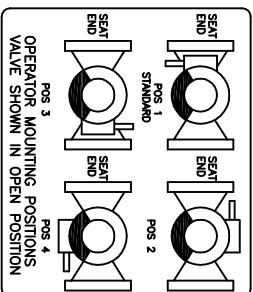
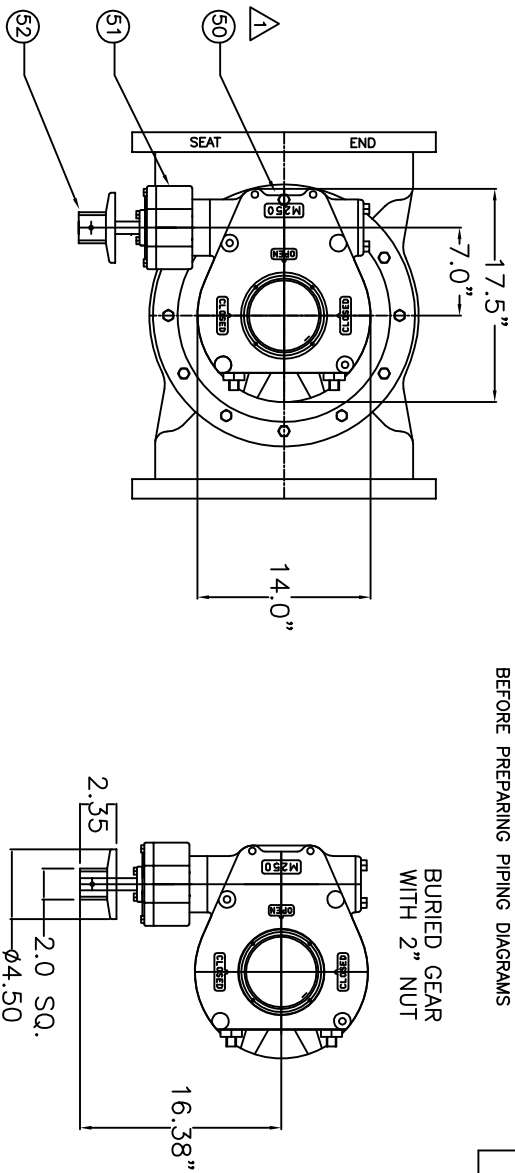


REFERENCE ONLY

DRAWINGS ARE FOR INFORMATION PURPOSES ONLY; PLEASE REQUEST CERTIFIED DRAWINGS BEFORE PREPARING PIPING DIAGRAMS

VALVE SIZE	A	B	C	D	E	F	G	H	L
24	42	19.38	21.63	24	30.00	31.50	0.88	16	1.88
30	51	23.44	24.75	30	36.88	39.13	1.13	20	2.12

BURIED GEAR WITH 2" NUT



THIS DRAWING IS THE PROPERTY OF HENRY PRATT COMPANY AND MUST NOT BE USED IN ANY WAY PREJUDICIAL TO THEIR INTERESTS

ITEM	QTY.	DESCRIPTION	MATERIAL
52	1	2" NUT	DUCTILE IRON
51	1	SPUR GEAR	-
50	1	GEAR OPERATOR	-
15	AR	LOCKWASHER	STEEL/ZINC
14	AR	CAP SCREW	STEEL/ZINC
13	1	TRUNION COVER	A 126 CL B
12	1	O RING	ELAS. AS SPEC.
11	1	SUPPORT WASHER	STEEL
10	2	GRIT SEAL	PIFE
9	1	WASHER	STEEL
8	AR	CAP SCREW	STEEL/ZINC
7	1	O RING	ELAS. AS SPEC.
6	2	U CUP SEALS	ELAS. AS SPEC.
5	2	RETAINING RING	SPRING STEEL
4	2	SLEEVE BEARING	BRONZE/SS
3	1	PLUG	A 126 CL B
2	1	CAP	A 126 CL B
1	1	BODY	A 126 CL B

DATE	1/07/06	ISSUE NUMBER	1
BY	REGIONS	CHK'D	PRATT
BY	HENRY PRATT COMPANY	DATE	06/09
BY	REGIONS	SCALE	NONE
BY	HENRY PRATT COMPANY	DIMENSIONS	INCHES
BY	REGIONS	TITLE:	24"-30"
BY	HENRY PRATT COMPANY	TITLE:	PLUG VALVE, MU ENDS
BY	REGIONS	TITLE:	MIN. 80% PORT
BY	HENRY PRATT COMPANY	TITLE:	w/ M250 GEAR
BY	REGIONS	DWG. NO.	HP49858