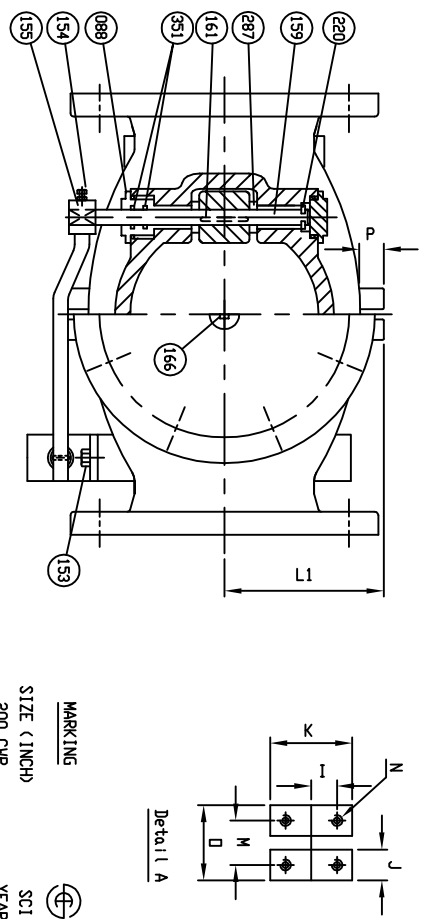


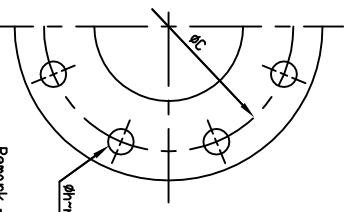
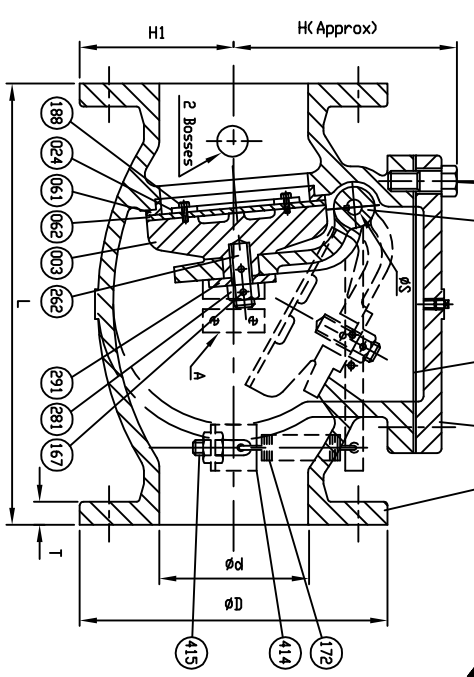
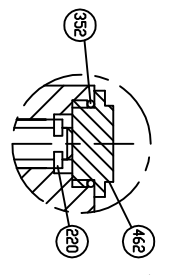
SUPPLIED WITH 8 MILS AMERLOCK 2 RED OXIDE EPOXY INTERIOR AND EXTERIOR OF THE VALVE

REFERENCE ONLY



VALVE SIZE	PLUG SIZE
2	1/2
2 1/2	1/2
3	1/2
4	1/2
6	3/4
8	3/4
10	1
12	1

MARKING
 SIZE (INCH)
 200 C/P
 AMWA C508
 SC1
 YEAR
 POURING DATE



Remark - Part No. 024 (Seat Holder)
 - size 2" - 6" => Cast Iron
 - size 8" - 12" => Ductile Iron

SIZE Ød mm.	L	ANSI B16.1 CL. 125				ØS	H	H1	I	J	K	M	N	O	P	L1
		ØD	ØC	Øh	n											
2 (50)	8	6	4 3/4	3/4	4	5/8	3/8	4 15/16	3	7/16	7/8	1 11/16	—	3/8	2 13/16	
2 1/2 (65)	8 1/2	7	5 1/2	3/4	4	11/16	3/8	5 11/16	3 1/2	7/16	7/8	1 11/16	—	3/8	3 9/16	
3 (80)	9 1/2	7 1/2	6	3/4	4	3/4	1/2	6 1/16	3 3/4	3/4	1 1/2	3	2 1/2	3/4	4 1/16	
4 (100)	11 1/2	9	7 1/2	3/4	8	15/16	1/2	6 7/8	4 1/2	3/4	1 1/2	3	2 1/2	3/4	4 15/16	
6 (150)	14	11	9 1/2	7/8	8	1	3/4	8 1/2	5 1/2	3/4	1 1/2	3	2 1/2	3/4	5 15/16	
8 (200)	19 1/2	13 1/2	11 3/4	7/8	8	1 1/8	7/8	9 15/16	6 3/4	7/8	1 3/4	3 1/2	5 8/16	1 1/4	8 1/16	
10 (250)	24 1/2	16	14 1/4	1	12	1 3/16	1	11 3/16	8	7/8	1 3/4	3 1/2	5 8/16	1 1/4	9 3/16	
12 (300)	27 1/2	19	17	1	12	1 1/4	1 1/8	13 9/16	9 1/2	7/8	1 3/4	3 1/2	5 8/16	1 1/4	10 13/16	

NO.	DESCRIPTION	MATERIAL	QTY
462	Retaining Plug	Brass	B 21
415	Stud Nut & Nut	Zinc Coated Steel	A 307 Grade B
414	Arm B	Zinc Coated Steel	A 36
352	D-Ring C	Rubber (Buna N)	D 2000 BK 707
351	D-Ring B	Rubber (Buna N)	D 2000 BK 707
324	Gasket	Rubber (Buna N)	D 2000 BK 807
302	Cover Bolt	Zinc Coated Steel	A 307 Grade B
291	Washer	Brass	B 21
287	Spacer	Brass	B 21
281	Disc Nut	Brass	B 21
262	Disc Stud	Brass	B 21
220	Snap Ring	Stainless Steel	A 276 Type 420
188	Disc Seat Bolt	Stainless Steel	A 276 Type 304
172	Spr. Spring	Zinc Coated Steel	A 36
167	Pin	Stainless Steel	A 276 Type 304
166	Plug	Stainless Steel	A 276 Type 304
161	Key	Stainless Steel	A 276 Type 304
159	Hinge Pin	Stainless Steel	A 276 Type 304
155	Weight Arm	Ductile Iron	A 536 Gr. 65-45-12
154	Bolt & Nut	Zinc Coated Steel	A 307 Grade B
153	Bolt	Zinc Coated Steel	A 307 Grade B
088	Seat Nut	Brass	B 21
062	Disc Seat Ring	Rubber (Buna N)	D 2000 BK 807
061	Body Seat Ring	Bronze	B 62
024	Seat Holder	See Remark	
023	Arm	Ductile Iron	A 536 Gr. 65-45-12
014	Cover	Cast Iron	A 126 Class B
003	Disc	Cast Iron	A 126 Class B
001	Body	Cast Iron	A 126 Class B

MUELLER CO.

A2602-6B1LS

M80003